



Inter Imex
SERVICE & ONDERHOUD

Inter Imex - Service & Onderhoud
Westhavenweg 63H
1042 AL Amsterdam
The Netherlands
KvK: 76952576 • VAT: NL003127781B26
IBAN: NL55 RABO 0349 6416 76
www.interimex.nl

MUBEA

Katalog

Ausgabe: 2020

Stanzwerkzeuge



MUBEA



Inter Imex
SERVICE & ONDERHOUD

Inter Imex - Service & Onderhoud
Westhavenweg 63H
1042 AL Amsterdam
The Netherlands
KvK: 76952576 • VAT: NL003127781B26
IBAN: NL55 RABO 0349 6416 76
www.interimex.nl

MUBEA

Inhalt

Contents

Kapitel 1

Stempel & Matrizen für motorisch betriebene Stanzen und Mehrstempelwerkzeuge

Punches & dies for motor-driven punching machines and multiple punching tools

1

MUBEA

This catalogue shows – clearly arranged – the complete Mubea Program of standard punches and dies for rational processing of flat, plate and sectional steel.

The complete collection and the perfect organization of this standard is based on more than 7 decades of experience. All listed tools in this catalogue are available within short.

All tools in this catalogue are made for processing material up to a maximum tensile strength of 600 N/mm². Tools for processing material with a higher tensile strength can be made upon special request.

The radius of the oblong punches and dies listed in this catalog corresponds to half of the hole diameter. If required, please state the deviating radius. These tools will then be manufactured separately.

Please state the complete article number for each tool.

Example:

Punch 50505 1
Cutting shape: round
10 pcs. dimension: 3,0 mm
Article-no.: 5050511008

The size of the hole to be punched is determined by the punch dimensions. The punches are marked with this size.

The die opening has to be wider by the cutting tolerance (= twice the cutting gap). According to our experience, the cutting tolerance should be approximately 10% of the material thickness.

When determining the cutting tolerance, we recommend you to observe the following rules:

For round and square cutting shapes:

Material thickness:	mm	bis 4	> 4 bis 9	> 9 bis 14	> 14 bis 19	> 19 bis 24
Cutting tolerance:	mm	0,2	0,7	1,2	1,7	2,2

Example: Punch Diameter: 20,0 mm
Material thickness: 12,0 mm
Die opening: 21,2 mm

=> If no opening and material thickness are given, we will supply dies with the 0,7mm tolerance.

For oblong cutting shapes:

Oblong tools are manufactured with a cutting tolerance of 0,3 mm and 1,0 mm according to Mubea standard.

Material thickness:	mm	bis 6	> 6 bis 14
Cutting tolerance:	mm	0,3	1,0

Example: Oblong hole dimensions: 11,0 x 30,0 mm
Material thickness: 1 – 6 mm
= Die opening: 11,3 x 30,3 mm
Material thickness: 6 – 14 mm
= Die opening: 12,0 x 31,0 mm

=> If no opening and material thickness are given, we will supply dies with the 1,0 mm tolerance.

MUBEA

If desired, above listed punches and dies will be made as special manufacture with each cutting shape required; for example triangular, rectangular, hexagon as well as other special cutting shapes. The most frequent special shapes have already been standardized and listen in this catalogue (vide chapter 3).

When ordering oblong, rectangular or similar tools exceeding a cutting range of 50 mm (special manufacture, not standard), it must be stated, wether the punch hole shall be parallel or transverse to the machine (vide sketch).

KEWEMA GmbH, of course, manufactures all special punching tools according to your specifications (drawing or sample).

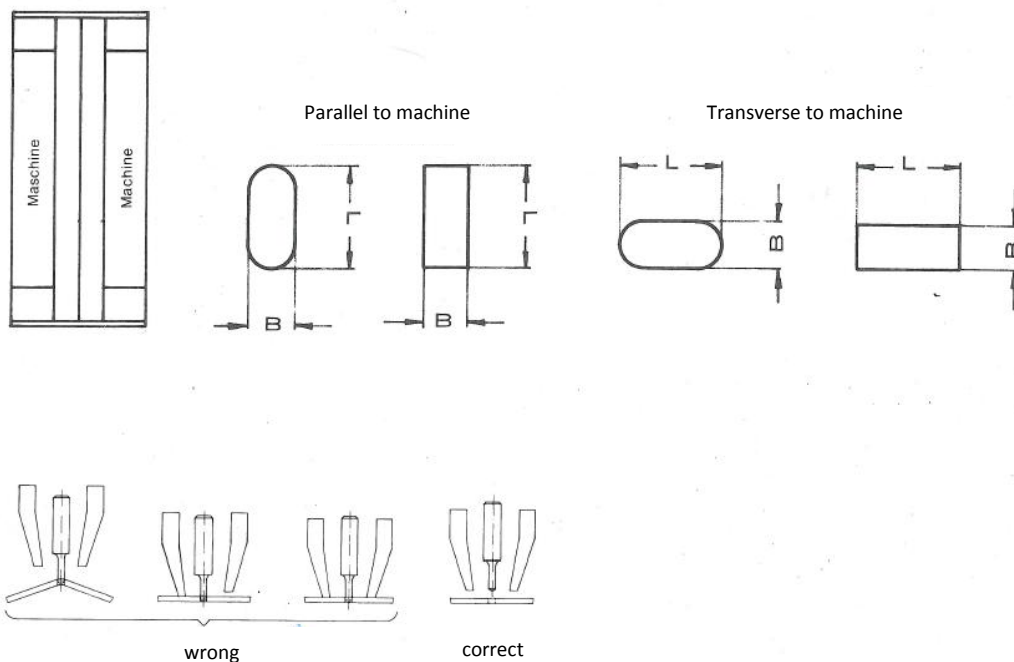
Please pay attention to the following basic points, when using our punching tools:

- Please make sure that the cutting gap is in the line between punch and die opening.
- The die has to be fixed firmly to its support. Punch holder and reducer insert must also be fixed safely to their supports.
- The stripper or hold-down (vide sketch hereafter) must act in line and be aligned with the die surface.
- In order to achieve highest possible lifetime of the tools, please lubricate the punches frequently, when punching.
- When using oblong, square, as well as other special cutting shapes, the attached turning prevention pin must be used.
- In order not to overcharge your machine, we recommend you to review the punch pressure arising when punching the holes according to the following formular. Max. punch capacity is stated on the performance plate at your machine.i
-

$$\text{force (F)} = \frac{\text{Extent cutting shape } (\pi \times d) \times \text{material thickness (s)} \times \text{tensile strength (Rm)} \times [\text{factor } 0,8]}{9810 \text{ (conversion Nm in t)}}$$

Rm = tensile strength (N/mm²):

Stainless steel	1.4301	=	720 N/mm ²
Steel	St-37	=	450 N/mm ²
Aluminium	AlMg3	=	220 N/mm ²





MUBEA

Aus diesen Tabellen (Seite 8 & 9) ist zu ersehen, in welche motorisch betriebenen Mubea-Maschinen die in diesem Katalog aufgeführten Stempel und Matrizen eingebaut werden können.

These schedules (page 8 & 9), are giving you a survey about punches and dies, which can be fitted to our corresponding Mubea motor-driven machines.

Modell Model Modèle	Stempel Punches Poinçons										Matrizen Dies Matrices																				
	50605-1	50605-2	50605-3	50605-4	50605-1	50605-2	50605-3	50606-1	50606-2	50606-3	50616	50625	50633	50638	50639	50640	50658-1	50658-2	50653-1	50653-2	50653-3	50679-1	50679-2	50680-1	50680-2	50681-1	50681-2	50682-1	50682-2	50683-1	50683-2
KBL 11 N ab Masch.-Nr./from serial no./ à partir du numéro de machine 3534, KBL OPTIMA 11, KBL OPTIMA 45-20, KBL OPTIMA 560, MIW 600	•	•	•	•	•	•	•	•	•	•			•	•	•	•	•	•	•	•	•	•	•	•	•	•	•	•	•	•	•
KBL 13 ab Masch.-Nr. / from serial no. / à partir du numéro de machine 1790, KBL OPTIMA 13, KBL OPTIMA 65-30, KBL OPTIMA 750	•	•	•	•	•	•	•	•	•	•			•	•	•	•	•	•	•	•	•	•	•	•	•	•	•	•	•	•	•
KBL 16 ab Masch.-Nr. / from serial no. / à partir du numéro de machine 2599, KBL OPTIMA 16, KBL OPTIMA 80-40	•	•	•	•	•	•	•	•	•	•			•	•	•	•	•	•	•	•	•	•	•	•	•	•	•	•	•	•	•
KBL OPTIMA 900	•	•	•	•	•	•	•	•	•	•			•	•	•	•	•	•	•	•	•	•	•	•	•	•	•	•	•	•	•
KBL 20 ab Masch.-Nr. / from serial no. / à partir du numéro de machine 2708, KBL OPTIMA 20, KBL OPTIMA 100-50, KBL OPTIMA 1100	•	•	•	•	•	•	•	•	•	•			•	•	•	•	•	•	•	•	•	•	•	•	•	•	•	•	•	•	•
KBL 25 ab Masch.-Nr. / from serial no. / à partir du numéro de machine 9821 KBL OPTIMA 25, KBL OPTIMA 130-70, KBL OPTIMA 1300	•	•	•	•	•	•	•	•	•	•			•	•	•	•	•	•	•	•	•	•	•	•	•	•	•	•	•	•	•
KLS 1100	•	•	•	•	•	•	•	•	•	•			•	•	•	•	•	•	•	•	•	•	•	•	•	•	•	•	•	•	•
KL 10, KL 30, KL 350	•	•	•	•	•	•	•	•	•	•			•	•	•	•	•	•	•	•	•	•	•	•	•	•	•	•	•	•	•
KL 11, KL OPTIMA 45, KL OPTIMA 560	•	•	•	•	•	•	•	•	•	•			•	•	•	•	•	•	•	•	•	•	•	•	•	•	•	•	•	•	•
KL 13, KL OPTIMA 65, KL OPTIMA 750	•	•	•	•	•	•	•	•	•	•			•	•	•	•	•	•	•	•	•	•	•	•	•	•	•	•	•	•	•
KL 16, KL OPTIMA 80	•	•	•	•	•	•	•	•	•	•			•	•	•	•	•	•	•	•	•	•	•	•	•	•	•	•	•	•	•
KL OPTIMA 900	•	•	•	•	•	•	•	•	•	•			•	•	•	•	•	•	•	•	•	•	•	•	•	•	•	•	•	•	•
KL 20, KL OPTIMA 100, KL OPTIMA 1100	•	•	•	•	•	•	•	•	•	•			•	•	•	•	•	•	•	•	•	•	•	•	•	•	•	•	•	•	•
KL 25, KL OPTIMA 130, KL OPTIMA 1300	•	•	•	•	•	•	•	•	•	•			•	•	•	•	•	•	•	•	•	•	•	•	•	•	•	•	•	•	•
KL 100	•	•	•	•	•	•	•	•	•	•			•	•	•	•	•	•	•	•	•	•	•	•	•	•	•	•	•	•	•
KL 160	•	•	•	•	•	•	•	•	•	•			•	•	•	•	•	•	•	•	•	•	•	•	•	•	•	•	•	•	•
BF 10, BF 30-12, BF 350											•	•	•	•	•	•	•	•	•	•	•	•	•	•	•	•	•	•	•	•	•
BFL 35, BFL 350, BFLH 400	•	•	•	•	•	•	•	•	•	•			•	•	•	•	•	•	•	•	•	•	•	•	•	•	•	•	•	•	•
HP 350/600	•	•	•	•	•	•	•	•	•	•			•	•	•	•	•	•	•	•	•	•	•	•	•	•	•	•	•	•	•
HP 450/760	•	•	•	•	•	•	•	•	•	•			•	•	•	•	•	•	•	•	•	•	•	•	•	•	•	•	•	•	•
HPS 250	•	•											•	•	•	•	•	•	•	•	•	•	•	•	•	•	•	•	•	•	•
HPS 350, HPS 350 E	•	•	•										•	•	•	•	•	•	•	•	•	•	•	•	•	•	•	•	•	•	•
HPSN 450	•	•	•										•	•	•	•	•	•	•	•	•	•	•	•	•	•	•	•	•	•	•
HPSN 600	•	•	•	•	•	•	•	•	•	•			•	•	•	•	•	•	•	•	•	•	•	•	•	•	•	•	•	•	•
HPSN 350	•	•	•	•	•	•	•	•	•	•			•	•	•	•	•	•	•	•	•	•	•	•	•	•	•	•	•	•	•
HPSN 500	•	•	•	•	•	•	•	•	•	•			•	•	•	•	•	•	•	•	•	•	•	•	•	•	•	•	•	•	•
HPSN 750	•	•	•	•	•	•	•	•	•	•			•	•	•	•	•	•	•	•	•	•	•	•	•	•	•	•	•	•	•
HIW 450	•	•	•	•	•	•	•	•	•	•			•	•	•	•	•	•	•	•	•	•	•	•	•	•	•	•	•	•	•
HIW 600	•	•	•	•	•	•	•	•	•	•			•	•	•	•	•	•	•	•	•	•	•	•	•	•	•	•	•	•	•
HIW 1000	•	•	•	•	•	•	•	•	•	•			•	•	•	•	•	•	•	•	•	•	•	•	•	•	•	•	•	•	•
KLSH 550	•	•	•	•	•	•	•	•	•	•			•	•	•	•	•	•	•	•	•	•	•	•	•	•	•	•	•	•	•
KLSH 900	•	•	•	•	•	•	•	•	•	•			•	•	•	•	•	•	•	•	•	•	•	•	•	•	•	•	•	•	•
KLSH 1100/KBLH 1000, HP 1000/760	•	•	•	•	•	•	•	•	•	•			•	•	•	•	•	•	•	•	•	•	•	•	•	•	•	•	•	•	•
KLH 300/610 + KLH 500/610	•	•	•	•	•	•	•	•	•	•			•	•	•	•	•	•	•	•	•	•	•	•	•	•	•	•	•	•	•
KLH 700/760	•	•	•	•	•	•	•	•	•	•			•	•	•	•	•	•	•	•	•	•	•	•	•	•	•	•	•	•	•
KBLH 300, KBLH 500	•	•	•	•	•	•	•	•	•	•			•	•	•	•	•	•	•	•	•	•	•	•	•	•	•	•	•	•	•
KBLH 700	•	•	•	•	•	•	•	•	•	•			•	•	•	•	•	•	•	•	•	•	•	•	•	•	•	•	•	•	•



MUBEA

Modell Model Modèle	Stempel										Matrizen																			
	Punches					Poinçons					Dies					Matrices														
	50505-1	50505-2	50505-3	50505-4	50585-1	50585-2	50585-3	50586-1	50586-2	50586-3	50516	50525	50833	50838	50839	50840	50658-1	50658-2	50653-2	50653-3	50679-1	50679-2	50680-1	50680-2	50681-1	50681-2	50682-1	50682-2	50683-1	50683-2
HW 550	●	●	●	●	●	●	●	●	●	●			●	●	●	●	●	●	●	●	●	●	●	●	●	●	●	●	●	●
HW 750	●	●	●	●	●	●	●	●	●	●			●	●	●	●	●	●	●	●	●	●	●	●	●	●	●	●	●	●
HW 1000 ab Baujahr 1987 HW 1000 from year of construction 1987 HW 1000 à partir d'année de fabrication 1987	●	●	●	●	●	●	●	●	●	●			●	●	●	●	●	●	●	●	●	●	●	●	●	●	●	●	●	●
MW 400	●	●	●	●	●	●	●	●	●	●			●	●	●	●	●	●	●	●	●	●	●	●	●	●	●	●	●	●
MW 600	●	●	●	●	●	●	●	●	●	●			●	●	●	●	●	●	●	●	●	●	●	●	●	●	●	●	●	●
MW 800	●	●	●	●	●	●	●	●	●	●			●	●	●	●	●	●	●	●	●	●	●	●	●	●	●	●	●	●
PROFI 500	●	●	●	●	●	●	●	●	●	●			●	●	●	●	●	●	●	●	●	●	●	●	●	●	●	●	●	●

- = Einsetzbar nur mit Sonderstanzeinrichtung
- = Usable only with special punching attachment
- = A utiliser qu'avec dispositif de poinçonnage spécial

- ▲ = MBN 50585-2: bis / up to / jusqu'à 80 mm Ø,
MBN 50586-2: bis / up to / jusqu'à 55 mm □
- * = MBN 50658-1: bis / up to / jusqu'à 80 mm Ø,
MBN 50658-1: bis / up to / jusqu'à 55 mm □

Einsetzbar nur mit Sonderstanzeinrichtung
Usable only with special punching attachment
A utiliser qu'avec dispositif de poinçonnage spécial



Inter Imex
SERVICE & ONDERHOUD

Inter Imex - Service & Onderhoud
Westhavenweg 63H
1042 AL Amsterdam
The Netherlands
KvK: 76952576 • VAT: NL003127781B26
IBAN: NL55 RABO 0349 6416 76
www.interimex.nl

MUBEA

Kapitel 1

Stempel & Matrizen für motorisch betriebene Stanzen und Mehrstempelwerkzeuge

Punches & dies for motor-driven punching machines and multiple punching tools

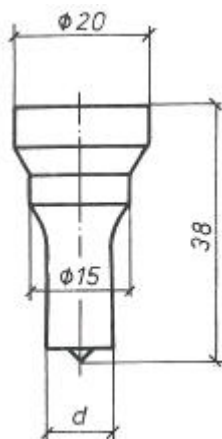
1

MUBEA

Rundstempel Nr. 1

Round Punch No. 1

Code 50505 1 1



Menge	Artikelnummer	Abmessung
	5050511008	3.0 mm
	5050511011	3.5 mm
	5050511013	4.0 mm
	5050511015	4.5 mm
	5050511017	5.0 mm
	5050511019	5.5 mm
	5050511022	6.0 mm
	5050511024	6.5 mm
	5050511026	7.0 mm
	5050511028	7.5 mm
	5050511031	8.0 mm
	5050511033	8.5 mm
	5050511035	9.0 mm
	5050511037	9.5 mm
	5050511039	10.0 mm
	5050511042	10.5 mm
	5050511044	11.0 mm
	5050511046	11.5 mm
	5050511048	12.0 mm
	5050511051	12.5 mm
	5050511053	13.0 mm
	5050511055	13.5 mm
	5050511057	14.0 mm
	5050511059	14.5 mm
	5050511062	15.0 mm

Nur einsetzbar mit Reduzierung 50531 und
Stempelbeilage 50529

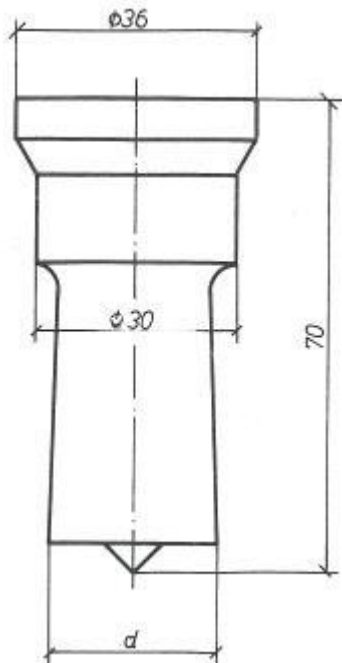
Can only be used with reducer insert 50531 and
punch filter 50529

MUBEA

Rundstempel Nr. 2

Round Punch No. 2

Code 50505 2 1



Bei folgenden Modellen nur einsetzbar mit Reduzierung 50531 5 (siehe Kapitel 2).

To be used on following machines only by using reducer insert 50531 5 (see chapter 2).

KBL Optima 900, KBL 20, KBL Optima 20, KBL Optima 100-50, KBL Optima 1100, KBL 25, KBL Optima 2, KBL Optima 130-70, KBL Optima 1300, KL Optima 900, KL 20, KL Optima 100, KL Optima 1100, KL 25, KL Optima 130, KL Optima 1300, KL 100, KL 160, KLS 1100, HIW 1000, KLSH 900, KLSH 1100, KBLH 1000, HP 1000/760

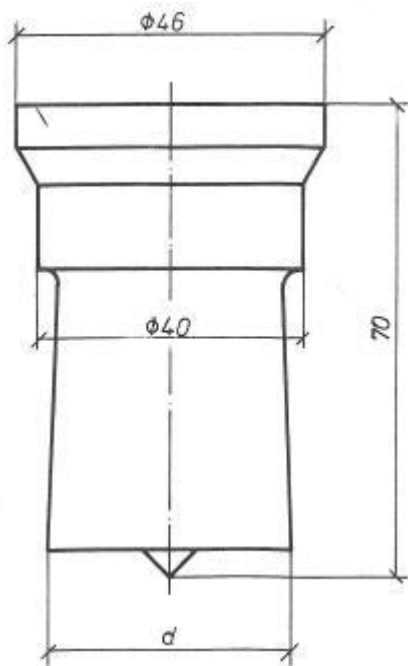
Menge	Artikelnummer	Abmessung
	5050521048	12.0 mm
	5050521053	13.0 mm
	5050521057	14.0 mm
	5050521062	15.0 mm
	5050521064	15.5 mm
	5050521066	16.0 mm
	5050521068	16.5 mm
	5050521071	17.0 mm
	5050521073	17.5 mm
	5050521075	18.0 mm
	5050521077	18.5 mm
	5050521079	19.0 mm
	5050521082	19.5 mm
	5050521084	20.0 mm
	5050521086	20.5 mm
	5050521088	21.0 mm
	5050521091	21.5 mm
	5050521093	22.0 mm
	5050521095	22.5 mm
	5050521097	23.0 mm
	5050521099	23.5 mm
	5050521102	24.0 mm
	5050521104	24.5 mm
	5050521106	25.0 mm
	5050521108	25.5 mm
	5050521111	26.0 mm
	5050521113	26.5 mm
	5050521115	27.0 mm
	5050521117	27.5 mm
	5050521119	28.0 mm
	5050521122	28.5 mm
	5050521124	29.0 mm
	5050521126	29.5 mm
	5050521128	30.0 mm

MUBEA

Rundstempel Nr. 3

Round Punch No. 3

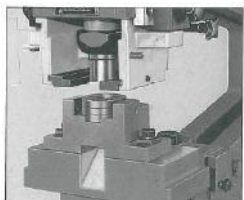
Code 50505 3 1



Einsetzbar nur mit Sonderstanzeinrichtung.
Außer bei den Modellen:

To be used only with special punching attachment.
Except on models:

KBL Optima 900, KBL 20, KBL Optima 20, KBL Optima 100-50, KBL Optima 1100, KBL 25, KBL Optima 2, KBL Optima 130-70, KBL Optima 1300, KL Optima 900, KL 20, KL Optima 100, KL Optima 1100, KL 25, KL Optima 130, KL Optima 1300, KL 100, KL 160, KLS 1100, HIW 1000, KLSH 900, KLSH 1100, KBLH 1000, HP 1000/760



Stanzausrüstung zur Aufnahme von Stempeln und Matrizen von 30,5 bis 50 mm Schnitt- ϕ

Punching station to accommodate punches and dies from 30,5 up to 50 mm cutting- ϕ

Menge	Artikelnummer	Abmessung
	5050531131	30.5 mm
	5050531133	31.0 mm
	5050531135	31.5 mm
	5050531137	32.0 mm
	5050531139	32.5 mm
	5050531142	33.0 mm
	5050531144	33.5 mm
	5050531146	34.0 mm
	5050531148	34.5 mm
	5050531151	35.0 mm
	5050531153	35.5 mm
	5050531155	36.0 mm
	5050531157	36.5 mm
	5050531159	37.0 mm
	5050531162	37.5 mm
	5050531164	38.0 mm
	5050531166	38.5 mm
	5050531168	39.0 mm
	5050531171	39.5 mm
	5050531173	40.0 mm

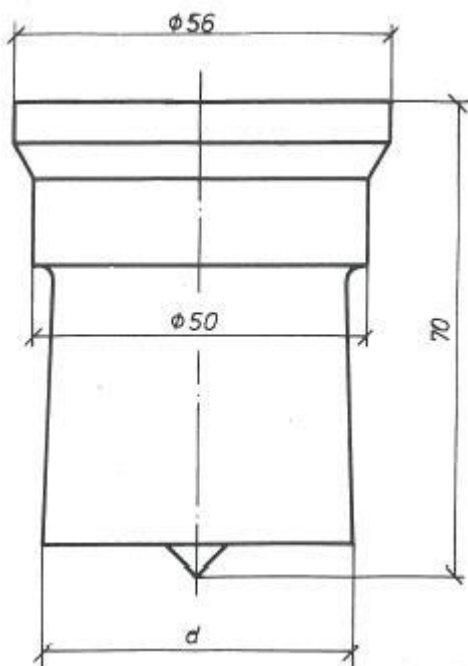


MUBEA

Rundstempel Nr. 4

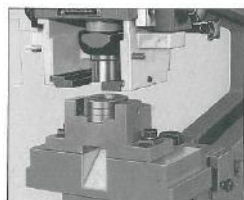
Round Punch No. 4

Code 50505 4 1



Einsetzbar nur mit Sonderstanzeinrichtung.

To be used only with special punching attachment.



Stanzausrüstung zur Aufnahme von Stempeln und Matrizen von 30,5 bis 50 mm Schnitt- ϕ

Punching station to accommodate punches and dies from 30,5 up to 50 mm cutting- ϕ

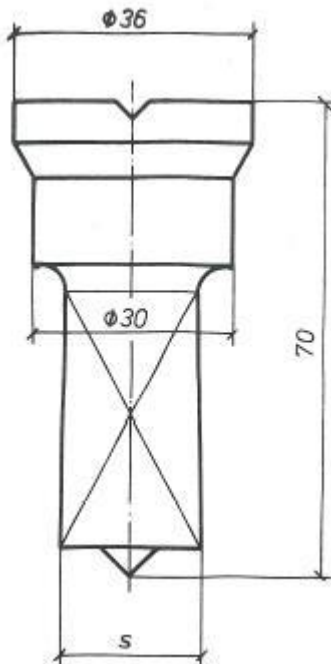
Menge	Artikelnummer	Abmessung
	5050541175	40.5 mm
	5050541177	41.0 mm
	5050541179	41.5 mm
	5050541182	42.0 mm
	5050541184	42.5 mm
	5050541186	43.0 mm
	5050541188	43.5 mm
	5050541191	44.0 mm
	5050541193	44.5 mm
	5050541195	45.0 mm
	5050541197	45.5 mm
	5050541199	46.0 mm
	5050541202	46.5 mm
	5050541204	47.0 mm
	5050541206	47.5 mm
	5050541208	48.0 mm
	5050541211	48.5 mm
	5050541213	49.0 mm
	5050541215	49.5 mm
	5050541217	50.0 mm

MUBEA

Vierkantstempel Nr. 2

Square Punch No. 2

Code 50505 2 2



Bei folgenden Modellen nur einsetzbar mit Reduzierung 50531 5 (siehe Kapitel 2).

To be used on following machines only by using reducer insert 50531 5 (see chapter 2).

KBL Optima 900, KBL 20, KBL Optima 20, KBL Optima 100-50, KBL Optima 1100, KBL 25, KBL Optima 2, KBL Optima 130-70, KBL Optima 1300, KL Optima 900, KL 20, KL Optima 100, KL Optima 1100, KL 25, KL Optima 130, KL Optima 1300, KL 100, KL 160, KLS 1100, HIW 1000, KLSH 900, KLSH 1100, KBLH 1000, HP 1000/760

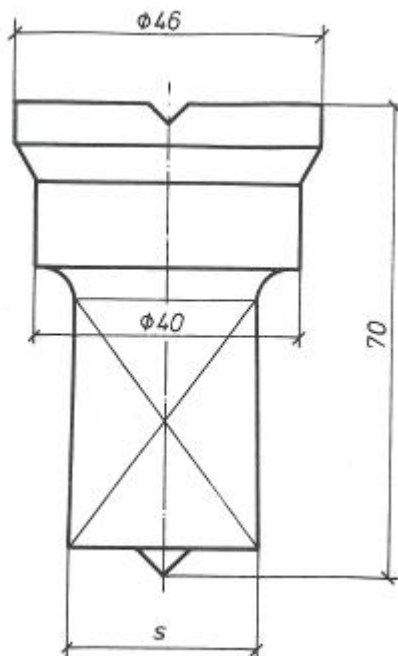
Menge	Artikelnummer	Abmessung
	5050522112	4.0 mm
	5050522114	4.5 mm
	5050522116	5.0 mm
	5050522118	5.5 mm
	5050522122	6.0 mm
	5050522124	6.5 mm
	5050522126	7.0 mm
	5050522128	7.5 mm
	5050522132	8.0 mm
	5050522134	8.5 mm
	5050522136	9.0 mm
	5050522138	9.5 mm
	5050522142	10.0 mm
	5050522144	10.5 mm
	5050522146	11.0 mm
	5050522148	11.5 mm
	5050522152	12.0 mm
	5050522154	12.5 mm
	5050522156	13.0 mm
	5050522158	13.5 mm
	5050522162	14.0 mm
	5050522164	14.5 mm
	5050522166	15.0 mm
	5050522168	15.5 mm
	5050522172	16.0 mm
	5050522174	16.5 mm
	5050522176	17.0 mm
	5050522178	17.5 mm
	5050522182	18.0 mm
	5050522184	18.5 mm
	5050522186	19.0 mm
	5050522188	19.5 mm
	5050522192	20.0 mm
	5050522194	20.5 mm
	5050522196	21.0 mm

MUBEA

Vierkantstempel Nr. 3

Square Punch No. 3

Code 50505 3 2



Einsetzbar nur mit Sonderstanzeinrichtung.
Außer bei den Modellen:

To be used only with special punching attachment.
Except on models:

KBL Optima 900, KBL 20, KBL Optima 20, KBL Optima 100-50, KBL Optima 1100, KBL 25, KBL Optima 2, KBL Optima 130-70, KBL Optima 1300, KL Optima 900, KL 20, KL Optima 100, KL Optima 1100, KL 25, KL Optima 130, KL Optima 1300, KL 100, KL 160, KLS 1100, HIW 1000, KLSH 900, KLSH 1100, KBLH 1000, HP 1000/760



Stanzausrüstung zur Aufnahme von Stempeln und Matrizen von 30,5 bis 50 mm Schnitt- ϕ

Punching station to accommodate punches and dies from 30,5 up to 50 mm cutting- ϕ

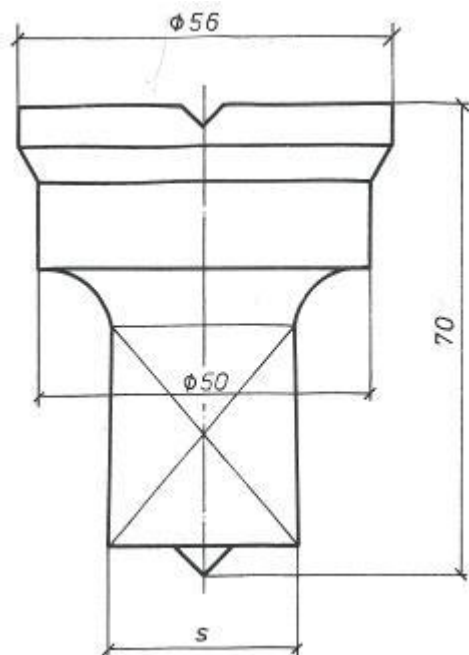
Menge	Artikelnummer	Abmessung
	5050532198	21.5 mm
	5050532202	22.0 mm
	5050532204	22.5 mm
	5050532206	23.0 mm
	5050532208	23.5 mm
	5050532212	24.0 mm
	5050532214	24.5 mm
	5050532216	25.0 mm
	5050532218	25.5 mm
	5050532222	26.0 mm
	5050532224	26.5 mm
	5050532226	27.0 mm
	5050532228	27.5 mm
	5050532232	28.0 mm

MUBEA

Vierkantstempel Nr. 4

Square Punch No. 4

Code 50505 4 2



Einsetzbar nur mit Sonderstanzeinrichtung.
Außer bei den Modellen:

To be used only with special punching attachment.
Except on models:



Stanzausrüstung zur Aufnahme
von Stempeln und Matrizen von
30,5 bis 50 mm Schnitt- ϕ

Punching station to
accommodate punches and dies
from 30,5 up to 50 mm cutting- ϕ

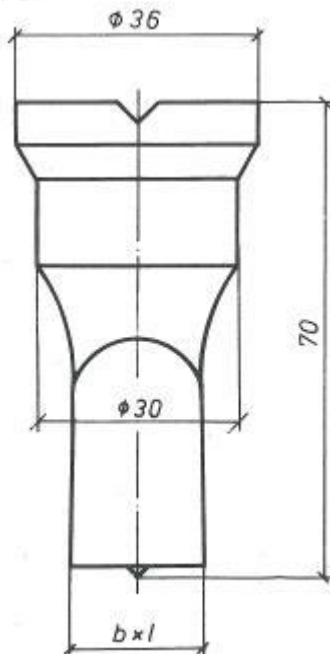
Menge	Artikelnummer	Abmessung
	5050542234	28.5 mm
	5050542236	29.0 mm
	5050542238	29.5 mm
	5050542242	30.0 mm
	5050542244	30.5 mm
	5050542246	31.0 mm
	5050542248	31.5 mm
	5050542252	32.0 mm
	5050542254	32.5 mm
	5050542256	33.0 mm
	5050542258	33.5 mm
	5050542262	34.0 mm
	5050542264	34.5 mm
	5050542266	35.0 mm

MUBEA

Langlochstempel Nr. 2

Oblong Punch No. 2

Code 50505 2 3



Bei folgenden Modellen nur einsetzbar mit Reduzierung 50531 5 (siehe Kapitel 2).

To be used on following machines only by using reducer insert 50531 5 (see chapter 2).

KBL Optima 900, KBL 20, KBL Optima 20, KBL Optima 100-50, KBL Optima 1100, KBL 25, KBL Optima 2, KBL Optima 130-70, KBL Optima 1300, KL Optima 900, KL 20, KL Optima 100, KL Optima 1100, KL 25, KL Optima 130, KL Optima 1300, KL 100, KL 160, KLS 1100, HIW 1000, KLSH 900, KLSH 1100, KBLH 1000, HP 1000/760

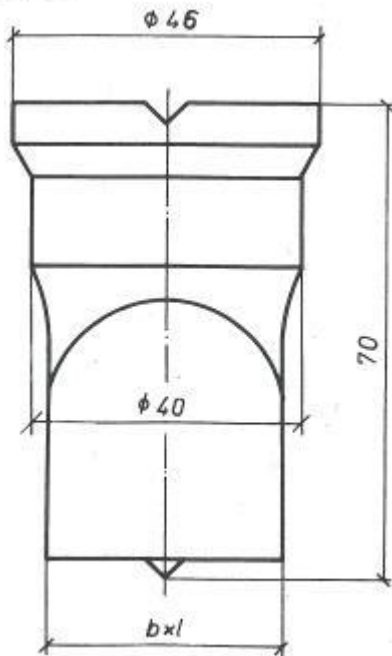
Menge	Artikelnummer	Abmessung	Menge	Artikelnummer	Abmessung
	5050523001	5.0 x 10.0 mm		5050523191	13.5 x 20.0 mm
	5050523002	5.0 x 13.0 mm		5050523192	13.5 x 25.0 mm
	5050523003	5.0 x 15.0 mm		5050523193	13.5 x 30.0 mm
	5050523004	5.0 x 20.0 mm		5050523215	14.0 x 20.0 mm
	5050523005	5.0 x 25.0 mm		5050523216	14.0 x 25.0 mm
	5050523019	5.5 x 11.0 mm		5050523217	14.0 x 30.0 mm
	5050523020	5.5 x 13.0 mm		5050523233	16.0 x 25.0 mm
	5050523021	5.5 x 15.0 mm		5050523234	16.0 x 30.0 mm
	5050523022	5.5 x 20.0 mm		5050523248	17.5 x 25.0 mm
	5050523023	5.5 x 25.0 mm		5050523249	17.5 x 30.0 mm
	5050523037	6.5 x 13.0 mm		5050523255	18.0 x 30.0 mm
	5050523038	6.5 x 15.0 mm		5050523266	19.0 x 25.0 mm
	5050523039	6.5 x 20.0 mm		5050523267	19.0 x 30.0 mm
	5050523040	6.5 x 25.0 mm		5050523281	20.5 x 25.0 mm
	5050523041	6.5 x 30.0 mm		5050523282	20.5 x 30.0 mm
	5050523055	7.0 x 15.0 mm		5050523288	22.0 x 30.0 mm
	5050523056	7.0 x 20.0 mm		5050523301	22.5 x 30.0 mm
	5050523057	7.0 x 25.0 mm		5050523316	24.0 x 30.0 mm
	5050523058	7.0 x 30.0 mm		5050523328	25.5 x 30.0 mm
	5050523070	8.0 x 13.0 mm			
	5050523071	8.0 x 16.0 mm			
	5050523072	8.0 x 20.0 mm			
	5050523073	8.0 x 25.0 mm			
	5050523074	8.0 x 30.0 mm			
	5050523088	9.0 x 13.0 mm			
	5050523089	9.0 x 18.0 mm			
	5050523090	9.0 x 20.0 mm			
	5050523091	9.0 x 25.0 mm			
	5050523092	9.0 x 30.0 mm			
	5050523107	9.5 x 13.0 mm			
	5050523108	9.5 x 15.0 mm			
	5050523109	9.5 x 20.0 mm			
	5050523110	9.5 x 25.0 mm			
	5050523111	9.5 x 30.0 mm			
	5050523125	10.5 x 15.0 mm			
	5050523126	10.5 x 21.0 mm			
	5050523127	10.5 x 25.0 mm			
	5050523128	10.5 x 30.0 mm			
	5050523140	11.0 x 15.0 mm			
	5050523141	11.0 x 20.0 mm			
	5050523142	11.0 x 25.0 mm			
	5050523143	11.0 x 30.0 mm			
	5050523167	12.0 x 20.0 mm			
	5050523168	12.0 x 25.0 mm			
	5050523169	12.0 x 30.0 mm			
	5050523179	13.0 x 20.0 mm			
	5050523180	13.0 x 25.0 mm			
	5050523181	13.0 x 30.0 mm			

MUBEA

Langlochstempel Nr. 3

Oblong Punch No. 3

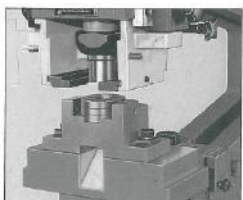
Code 50505 3 3



Einsetzbar nur mit Sonderstanzeinrichtung.
Außer bei den Modellen:

To be used only with special punching attachment.
Except on models:

KBL Optima 900, KBL 20, KBL Optima 20, KBL Optima 100-50, KBL Optima 1100, KBL 25, KBL Optima 2, KBL Optima 130-70, KBL Optima 1300, KL Optima 900, KL 20, KL Optima 100, KL Optima 1100, KL 25, KL Optima 130, KL Optima 1300, KL 100, KL 160, KLS 1100, HIW 1000, KLSH 900, KLSH 1100, KBLH 1000, HP 1000/760



Stanzausrüstung zur Aufnahme von Stempeln und Matrizen von 30,5 bis 50 mm Schnitt- ϕ

Punching station to accommodate punches and dies from 30,5 up to 50 mm cutting- ϕ

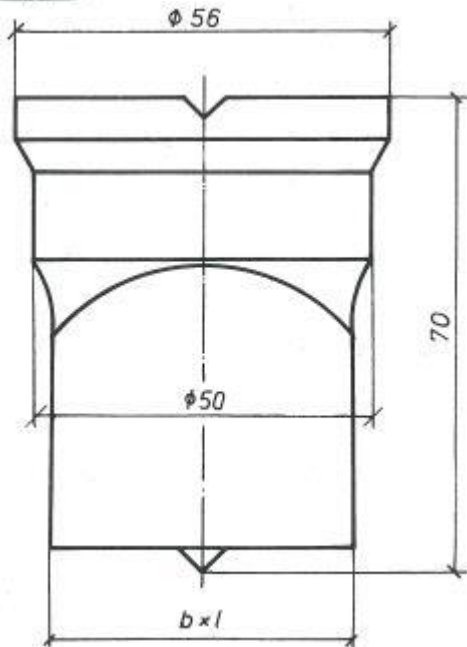
Menge	Artikelnummer	Abmessung
	5050533131	9.0 x 40.0 mm
	5050533144	11.0 x 35.0 mm
	5050533145	11.0 x 40.0 mm
	5050533194	13.5 x 35.0 mm
	5050533195	13.5 x 40.0 mm
	5050533218	14.0 x 35.0 mm
	5050533219	14.0 x 40.0 mm
	5050533235	16.0 x 35.0 mm
	5050533236	16.0 x 40.0 mm
	5050533250	17.5 x 35.0 mm
	5050533251	17.5 x 40.0 mm
	5050533268	19.0 x 35.0 mm
	5050533269	19.0 x 40.0 mm
	5050533283	20.5 x 35.0 mm
	5050533284	20.5 x 40.0 mm
	5050533302	22.5 x 35.0 mm
	5050533303	22.5 x 40.0 mm
	5050533317	24.0 x 40.0 mm
	5050533329	25.5 x 40.0 mm
	5050533340	26.0 x 40.0 mm
	5050533349	27.0 x 40.0 mm

MUBEA

Langlochstempel Nr. 4

Oblong Punch No. 4

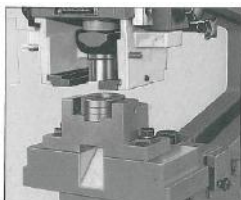
Code 50505 4 3



Menge	Artikelnummer	Abmessung
	5050543146	11.0 x 45.0 mm
	5050543147	11.0 x 50.0 mm
	5050543196	13.5 x 50.0 mm
	5050543252	17.5 x 50.0 mm
	5050543285	20.5 x 50.0 mm
	5050543304	22.5 x 50.0 mm
	5050543318	24.0 x 50.0 mm
	5050543330	25.5 x 50.0 mm
	5050543341	26.0 x 50.0 mm
	5050543350	27.0 x 50.0 mm

Einsetzbar nur mit Sonderstanzeinrichtung.

To be used only with special punching attachment.
Except on models:



Stanzausrüstung zur Aufnahme von Stempeln und Matrizen von 30,5 bis 50 mm Schnitt- ϕ

Punching station to accommodate punches and dies from 30,5 up to 50 mm cutting- ϕ

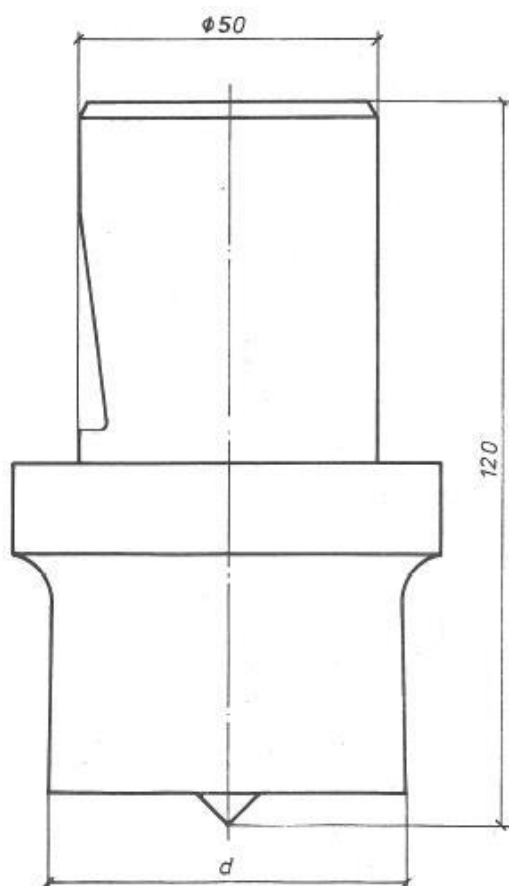


MUBEA

Rundstempel Nr. 50N

Round Punch No. 50N

Code 50585 1 1



Menge	Artikelnummer	Abmessung
	5058511219	50.5 mm
	5058511222	51.0 mm
	5058511224	51.5 mm
	5058511226	52.0 mm
	5058511228	52.5 mm
	5058511231	53.0 mm
	5058511233	53.5 mm
	5058511235	54.0 mm
	5058511237	54.5 mm
	5058511239	55.0 mm
	5058511242	55.5 mm
	5058511244	56.0 mm
	5058511246	56.5 mm
	5058511248	57.0 mm
	5058511251	57.5 mm
	5058511253	58.0 mm
	5058511255	58.5 mm
	5058511257	59.0 mm
	5058511259	59.5 mm
	5058511262	60.0 mm
	5058511264	60.5 mm
	5058511266	61.0 mm
	5058511268	61.5 mm
	5058511271	62.0 mm
	5058511273	62.5 mm
	5058511275	63.0 mm
	5058511277	63.5 mm
	5058511279	64.0 mm
	5058511282	64.5 mm
	5058511284	65.0 mm
	5058511286	65.5 mm
	5058511288	66.0 mm
	5058511291	66.5 mm
	5058511293	67.0 mm
	5058511295	67.5 mm
	5058511302	68.0 mm
	5058511304	68.5 mm
	5058511306	69.0 mm
	5058511308	69.5 mm
	5058511311	70.0 mm

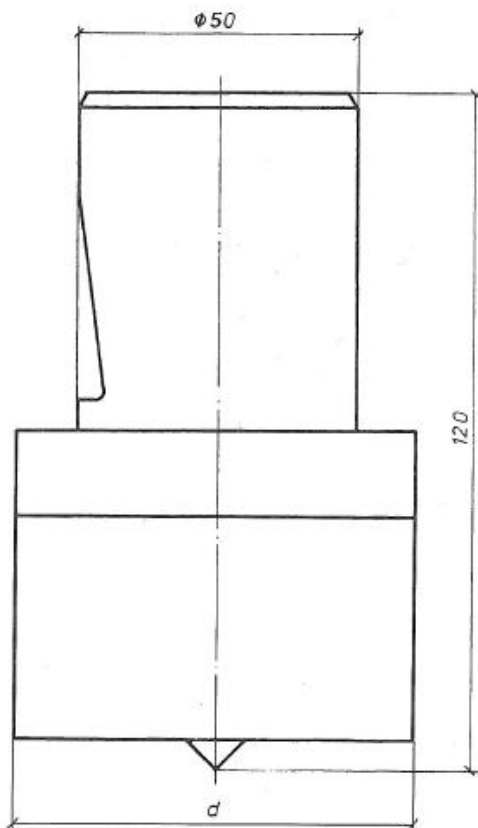


MUBEA

Rundstempel Nr. 50N

Oblong Punch No. 50N

Code 50585 2 1



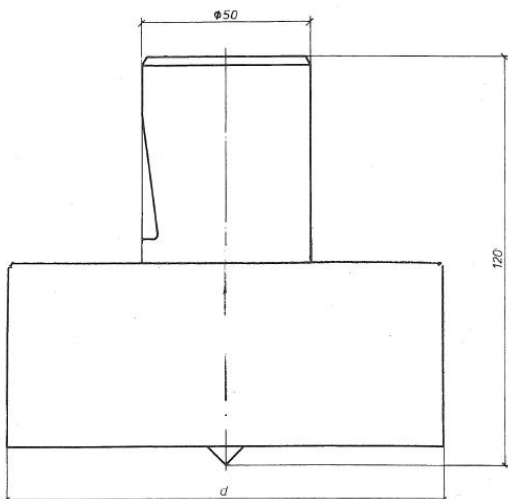
Menge	Artikelnummer	Abmessung	Menge	Artikelnummer	Abmessung
	5058521313	70.5 mm		5058521426	96.0 mm
	5058521315	71.0 mm		5058521428	96.5 mm
	5058521317	71.5 mm		5058521431	97.0 mm
	5058521319	72.0 mm		5058521433	97.5 mm
	5058521322	72.5 mm		5058521435	98.0 mm
	5058521324	73.0 mm		5058521437	98.5 mm
	5058521326	73.5 mm		5058521439	99.0 mm
	5058521328	74.0 mm		5058521442	99.5 mm
	5058521331	74.5 mm		5058521446	100.0 mm
	5058521333	75.0 mm			
	5058521335	75.5 mm			
	5058521337	76.0 mm			
	5058521339	76.5 mm			
	5058521342	77.0 mm			
	5058521344	77.5 mm			
	5058521346	78.0 mm			
	5058521348	78.5 mm			
	5058521351	79.0 mm			
	5058521353	79.5 mm			
	5058521355	80.0 mm			
	5058521357	80.5 mm			
	5058521359	81.0 mm			
	5058521362	81.5 mm			
	5058521364	82.0 mm			
	5058521366	82.5 mm			
	5058521368	83.0 mm			
	5058521371	83.5 mm			
	5058521373	84.0 mm			
	5058521375	84.5 mm			
	5058521377	85.0 mm			
	5058521379	85.5 mm			
	5058521382	86.0 mm			
	5058521384	86.5 mm			
	5058521386	87.0 mm			
	5058521388	87.5 mm			
	5058521391	88.0 mm			
	5058521393	88.5 mm			
	5058521395	89.0 mm			
	5058521397	89.5 mm			
	5058521399	90.0 mm			
	5058521402	90.5 mm			
	5058521404	91.0 mm			
	5058521406	91.5 mm			
	5058521408	92.0 mm			
	5058521411	92.5 mm			
	5058521413	93.0 mm			
	5058521415	93.5 mm			
	5058521417	94.0 mm			
	5058521419	94.5 mm			
	5058521422	95.0 mm			
	5058521424	95.5 mm			

MUBEA

Rundstempel Nr. 50N

Round Punch No. 50N

Code 50585 3 1



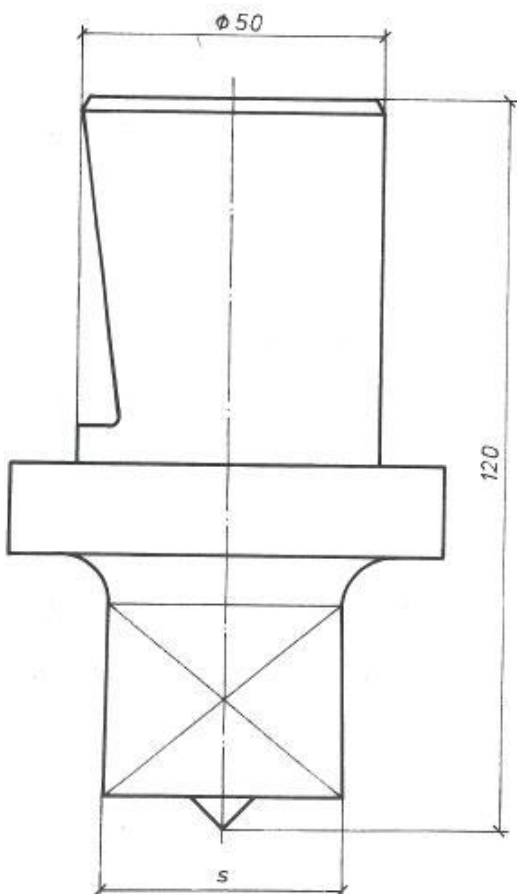
Menge	Artikelnummer	Abmessung
	5058531449	105.0 mm
	5058531452	110.0 mm
	5058531455	115.0 mm
	5058531458	120.0 mm
	5058531461	125.0 mm
	5058531464	130.0 mm
	5058531467	135.0 mm
	5058531470	140.0 mm
	5058531473	145.0 mm
	5058531476	150.0 mm

MUBEA

Vierkantstempel Nr. 50N

Square Punch No. 50N

Code 50586 1 2



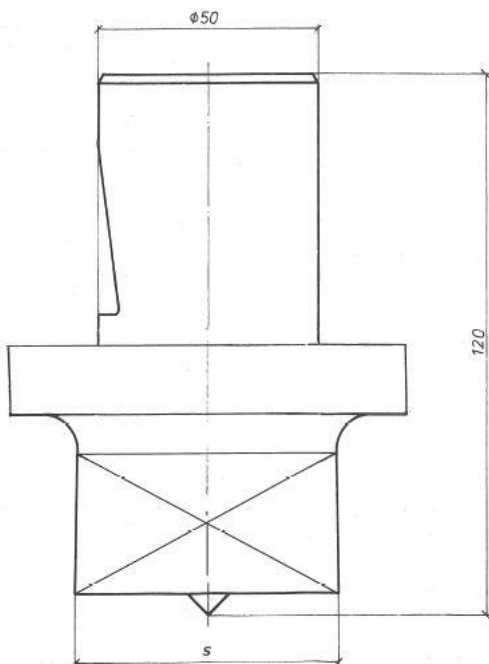
Menge	Artikelnummer	Abmessung
	5058612303	40.0 mm
	5058612304	42.0 mm
	5058612305	45.0 mm
	5058612307	50.0 mm

MUBEA

Vierkantstempel Nr. 50N

Square Punch No. 50N

Code 50586 2 2



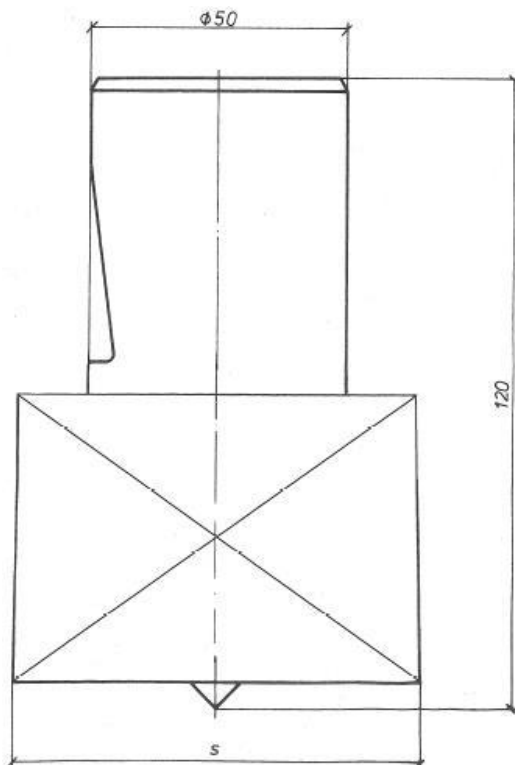
Menge	Artikelnummer	Abmessung
	5058622311	55.0 mm
	5058622313	60.0 mm

MUBEA

Vierkantstempel Nr. 50N

Square Punch No. 50N

Code 50586 3 2



Menge	Artikelnummer	Abmessung
	5058632315	65.0 mm
	5058632317	70.0 mm

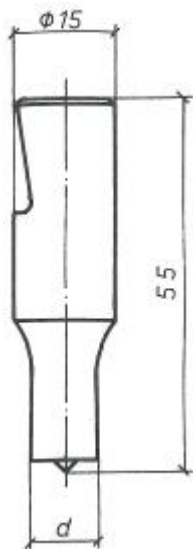


MUBEA

Rundstempel Nr. 15N

Round Punch No. 15N

Code 50516 1 1



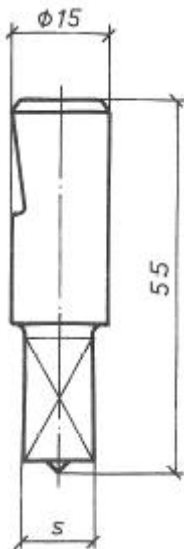
Menge	Artikelnummer	Abmessung
	5051611008	3.0 mm
	5051611011	3.5 mm
	5051611013	4.0 mm
	5051611015	4.5 mm
	5051611017	5.0 mm
	5051611019	5.5 mm
	5051611022	6.0 mm
	5051611024	6.5 mm
	5051611026	7.0 mm
	5051611028	7.5 mm
	5051611031	8.0 mm
	5051611033	8.5 mm
	5051611035	9.0 mm
	5051611037	9.5 mm
	5051611039	10.0 mm
	5051611042	10.5 mm
	5051611044	11.0 mm
	5051611046	11.5 mm
	5051611048	12.0 mm
	5051611051	12.5 mm
	5051611053	13.0 mm
	5051611055	13.5 mm
	5051611057	14.0 mm
	5051611059	14.5 mm
	5051611062	15.0 mm

MUBEA

Vierkantstempel Nr. 15N

Square Punch No. 15N

Code 50516 1 2



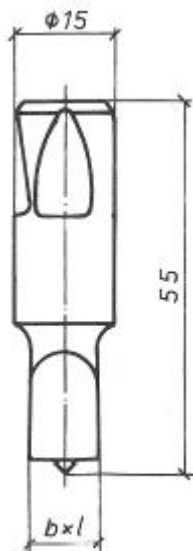
Menge	Artikelnummer	Abmessung
	5051612112	4.0 mm
	5051612114	4.5 mm
	5051612116	5.0 mm
	5051612118	5.5 mm
	5051612122	6.0 mm
	5051612124	6.5 mm
	5051612126	7.0 mm
	5051612128	7.5 mm
	5051612132	8.0 mm
	5051612134	8.5 mm
	5051612136	9.0 mm
	5051612138	9.5 mm
	5051612142	10.0 mm
	5051612144	10.5 mm

MUBEA

Langlochstempel Nr. 15N

Oblong Punch No. 15N

Code 50516 1 3



Menge	Artikelnummer	Abmessung
	5051613001	5.0 x 10.0 mm
	5051613002	5.0 x 13.0 mm
	5051613003	5.0 x 15.0 mm
	5051613019	5.5 x 11.0 mm
	5051613020	5.5 x 13.0 mm
	5051613021	5.5 x 15.0 mm
	5051613037	6.5 x 13.0 mm
	5051613038	6.5 x 15.0 mm
	5051613055	7.0 x 15.0 mm
	5051613070	8.0 x 13.0 mm
	5051613088	9.0 x 13.0 mm
	5051613107	9.5 x 13.0 mm
	5051613108	9.5 x 15.0 mm
	5051613125	10.5 x 15.0 mm
	5051613140	11.0 x 15.0 mm

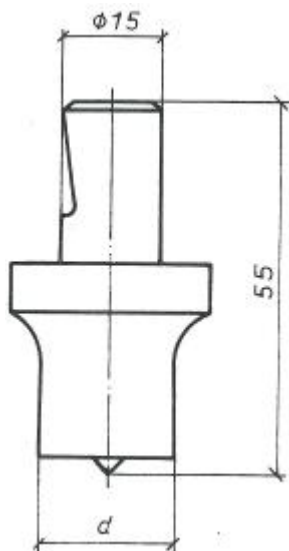


MUBEA

Rundstempel Nr. 15N

Round Punch No. 15N

Code 50525 0 1



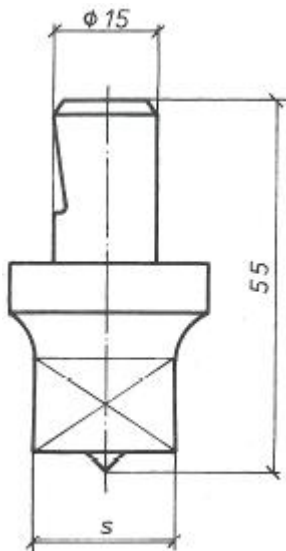
Menge	Artikelnummer	Abmessung
	5052501064	15.5 mm
	5052501066	16.0 mm
	5052501068	16.5 mm
	5052501071	17.0 mm
	5052501073	17.5 mm
	5052501075	18.0 mm
	5052501077	18.5 mm
	5052501079	19.0 mm
	5052501082	19.5 mm
	5052501084	20.0 mm
	5052501086	20.5 mm
	5052501088	21.0 mm
	5052501091	21.5 mm
	5052501093	22.0 mm
	5052501095	22.5 mm
	5052501097	23.0 mm
	5052501099	23.5 mm
	5052501102	24.0 mm
	5052501104	24.5 mm
	5052501106	25.0 mm
	5052501108	25.5 mm
	5052501111	26.0 mm
	5052501113	26.5 mm
	5052501115	27.0 mm
	5052501117	27.5 mm
	5052501119	28.0 mm
	5052501122	28.5 mm
	5052501124	29.0 mm
	5052501126	29.5 mm
	5052501128	30.0 mm

MUBEA

Vierkantstempel Nr. 15N

Square Punch No. 15N

Code 50525 0 2



Menge	Artikelnummer	Abmessung
	5052502146	11.0 mm
	5052502148	11.5 mm
	5052502152	12.0 mm
	5052502154	12.5 mm
	5052502156	13.0 mm
	5052502158	13.5 mm
	5052502162	14.0 mm
	5052502164	14.5 mm
	5052502166	15.0 mm
	5052502168	15.5 mm
	5052502172	16.0 mm
	5052502174	16.5 mm
	5052502176	17.0 mm
	5052502178	17.5 mm
	5052502182	18.0 mm
	5052502184	18.5 mm
	5052502186	19.0 mm
	5052502188	19.5 mm
	5052502192	20.0 mm
	5052502194	20.5 mm
	5052502196	21.0 mm

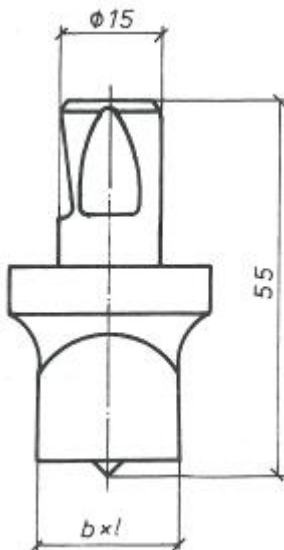


MUBEA

Langlochstempel Nr. 15N

Oblong Punch No. 15N

Code 50525 0 3



Menge	Artikelnummer	Abmessung
	5052503004	5.0 x 20.0 mm
	5052503005	5.0 x 25.0 mm
	5052503022	5.5 x 20.0 mm
	5052503023	5.5 x 25.0 mm
	5052503039	6.5 x 20.0 mm
	5052503040	6.5 x 25.0 mm
	5052503041	6.5 x 30.0 mm
	5052503056	7.0 x 20.0 mm
	5052503057	7.0 x 25.0 mm
	5052503058	7.0 x 30.0 mm
	5052503071	8.0 x 16.0 mm
	5052503072	8.0 x 20.0 mm
	5052503073	8.0 x 25.0 mm
	5052503074	8.0 x 30.0 mm
	5052503089	9.0 x 18.0 mm
	5052503090	9.0 x 20.0 mm
	5052503091	9.0 x 25.0 mm
	5052503092	9.0 x 30.0 mm
	5052503109	9.5 x 20.0 mm
	5052503110	9.5 x 25.0 mm
	5052503111	9.5 x 30.0 mm
	5052503126	10.5 x 21.0 mm
	5052503127	10.5 x 25.0 mm
	5052503128	10.5 x 30.0 mm
	5052503141	11.0 x 20.0 mm
	5052503142	11.0 x 25.0 mm
	5052503143	11.0 x 30.0 mm
	5052503167	12.0 x 20.0 mm
	5052503168	12.0 x 25.0 mm
	5052503169	12.0 x 30.0 mm
	5052503179	13.0 x 20.0 mm
	5052503180	13.0 x 25.0 mm
	5052503181	13.0 x 30.0 mm
	5052503191	13.5 x 20.0 mm
	5052503192	13.5 x 25.0 mm
	5052503193	13.5 x 30.0 mm
	5052503215	14.0 x 20.0 mm
	5052503216	14.0 x 25.0 mm
	5052503217	14.0 x 30.0 mm
	5052503233	16.0 x 25.0 mm
	5052503234	16.0 x 30.0 mm
	5052503248	17.5 x 25.0 mm
	5052503249	17.5 x 30.0 mm
	5052503266	19.0 x 25.0 mm
	5052503267	19.0 x 30.0 mm
	5052503281	20.5 x 25.0 mm
	5052503282	20.5 x 30.0 mm
	5052503301	22.5 x 30.0 mm
	5052503316	24.0 x 30.0 mm
	5052503328	25.5 x 30.0 mm

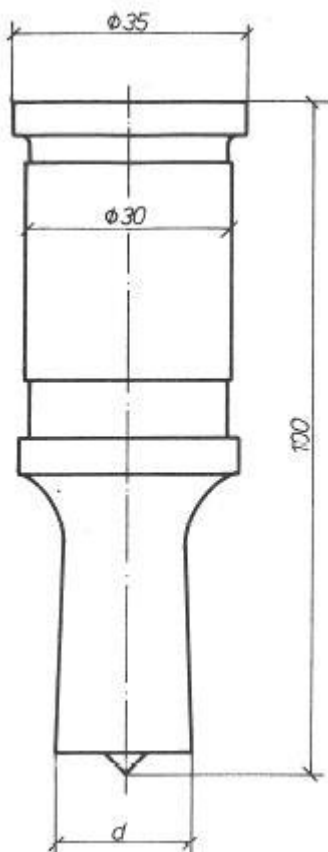


MUBEA

Rundstempel Nr. 35

Round Punch No. 35

Code 50509 2 1



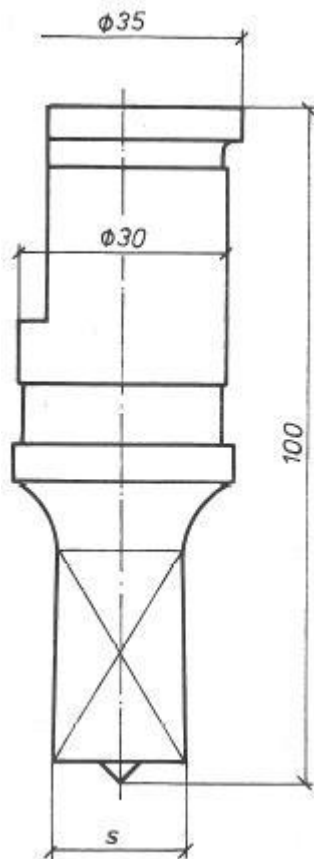
Menge	Artikelnummer	Abmessung
	5050921017	5.0 mm
	5050921019	5.5 mm
	5050921022	6.0 mm
	5050921024	6.5 mm
	5050921026	7.0 mm
	5050921028	7.5 mm
	5050921031	8.0 mm
	5050921033	8.5 mm
	5050921035	9.0 mm
	5050921037	9.5 mm
	5050921039	10.0 mm
	5050921042	10.5 mm
	5050921044	11.0 mm
	5050921046	11.5 mm
	5050921048	12.0 mm
	5050921051	12.5 mm
	5050921053	13.0 mm
	5050921055	13.5 mm
	5050921057	14.0 mm
	5050921059	14.5 mm
	5050921062	15.0 mm
	5050921064	15.5 mm
	5050921066	16.0 mm
	5050921068	16.5 mm
	5050921071	17.0 mm
	5050921073	17.5 mm
	5050921075	18.0 mm
	5050921077	18.5 mm
	5050921079	19.0 mm
	5050921082	19.5 mm
	5050921084	20.0 mm
	5050921086	20.5 mm
	5050921088	21.0 mm
	5050921091	21.5 mm
	5050921093	22.0 mm
	5050921095	22.5 mm
	5050921097	23.0 mm
	5050921099	23.5 mm
	5050921102	24.0 mm
	5050921104	24.5 mm
	5050921106	25.0 mm
	5050921108	25.5 mm
	5050921111	26.0 mm
	5050921113	26.5 mm
	5050921115	27.0 mm
	5050921117	27.5 mm
	5050921119	28.0 mm
	5050921122	28.5 mm
	5050921124	29.0 mm
	5050921126	29.5 mm
	5050921128	30.0 mm

MUBEA

Vierkantstempel Nr. 35

Square Punch No. 35

Code 50509 2 2



Menge	Artikelnummer	Abmessung
	5050922116	5.0 mm
	5050922118	5.5 mm
	5050922122	6.0 mm
	5050922124	6.5 mm
	5050922126	7.0 mm
	5050922128	7.5 mm
	5050922132	8.0 mm
	5050922134	8.5 mm
	5050922136	9.0 mm
	5050922138	9.5 mm
	5050922142	10.0 mm
	5050922144	10.5 mm
	5050922146	11.0 mm
	5050922148	11.5 mm
	5050922152	12.0 mm
	5050922154	12.5 mm
	5050922156	13.0 mm
	5050922158	13.5 mm
	5050922162	14.0 mm
	5050922164	14.5 mm
	5050922166	15.0 mm
	5050922168	15.5 mm
	5050922172	16.0 mm
	5050922174	16.5 mm
	5050922176	17.0 mm
	5050922178	17.5 mm
	5050922182	18.0 mm
	5050922184	18.5 mm
	5050922186	19.0 mm
	5050922188	19.5 mm
	5050922192	20.0 mm
	5050922194	20.5 mm
	5050922196	21.0 mm

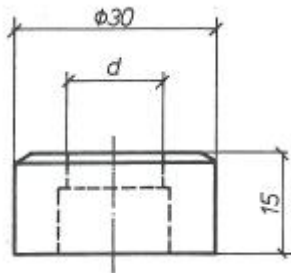


MUBEA

Rundmatrize Nr. 30

Round Die No. 30

Code 50633 0 1



Menge	Artikelnummer	Abmessung
	5063301009	3.2 mm
	5063301012	3.7 mm
	5063301014	4.2 mm
	5063301016	4.7 mm
	5063301018	5.2 mm
	5063301021	5.7 mm
	5063301023	6.2 mm
	5063301025	6.7 mm
	5063301027	7.2 mm
	5063301029	7.7 mm
	5063301032	8.2 mm
	5063301034	8.7 mm
	5063301036	9.2 mm
	5063301038	9.7 mm
	5063301041	10.2 mm
	5063301043	10.7 mm
	5063301045	11.2 mm
	5063301047	11.7 mm
	5063301049	12.2 mm
	5063301052	12.7 mm
	5063301054	13.2 mm
	5063301056	13.7 mm
	5063301058	14.2 mm
	5063301061	14.7 mm
	5063301063	15.2 mm
	5063301065	15.7 mm
	5063301067	16.2 mm

Einsetzbar nur mit Matrizenhalter 50606
(siehe Kapitel 2)

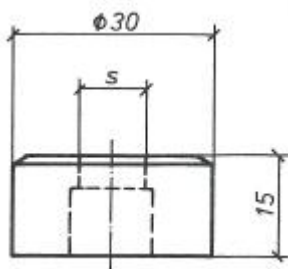
To be used only with die holder 50606
(see chapter 2)

MUBEA

Vierkantmatrize Nr. 30

Square Die No. 30

Code 50633 0 2



Menge	Artikelnummer	Abmessung
	5063302113	4.2 mm
	5063302115	4.7 mm
	5063302117	5.2 mm
	5063302121	5.7 mm
	5063302123	6.2 mm
	5063302125	6.7 mm
	5063302127	7.2 mm
	5063302131	7.7 mm
	5063302133	8.2 mm
	5063302135	8.7 mm
	5063302137	9.2 mm
	5063302141	9.7 mm
	5063302143	10.2 mm
	5063302145	10.7 mm
	5063302147	11.2 mm

Einsetzbar nur mit Matrizenhalter 50606
(siehe Kapitel 2)

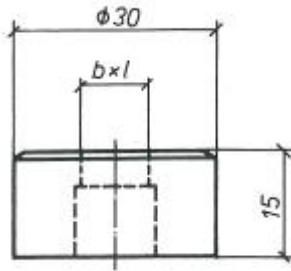
To be used only with die holder 50606
(see chapter 2)

MUBEA

Langlochmatrize Nr. 30

Oblong Die No. 30

Code 50633 0 3



Menge	Artikelnummer	Abmessung
	5063303007	5.3 x 10.3 mm
	5063303008	5.3 x 13.3 mm
	5063303009	5.3 x 15.3 mm
	5063303025	5.8 x 11.3 mm
	5063303026	5.8 x 13.3 mm
	5063303027	5.8 x 15.3 mm
	5063303013	6.0 x 11.0 mm
	5063303014	6.0 x 14.0 mm
	5063303015	6.0 x 16.0 mm
	5063303031	6.5 x 12.0 mm
	5063303032	6.5 x 14.0 mm
	5063303033	6.5 x 16.0 mm
	5063303043	6.8 x 13.3 mm
	5063303044	6.8 x 15.3 mm
	5063303060	7.3 x 15.3 mm
	5063303049	7.5 x 14.0 mm
	5063303050	7.5 x 16.0 mm
	5063303071	8.0 x 16.0 mm
	5063303076	8.3 x 13.3 mm
	5063303082	9.0 x 14.0 mm
	5063303094	9.3 x 13.3 mm
	5063303113	9.8 x 13.3 mm
	5063303114	9.8 x 15.3 mm
	5063303101	10.0 x 14.0 mm
	5063303119	10.5 x 14.0 mm
	5063303120	10.5 x 16.0 mm
	5063303130	10.8 x 15.3 mm
	5063303149	11.3 x 15.3 mm
	5063303135	11.5 x 16.0 mm
	5063303158	12.0 x 16.0 mm

Einsetzbar nur mit Matrizenhalter 50606
(siehe Kapitel 2)

To be used only with die holder 50606
(see chapter 2)

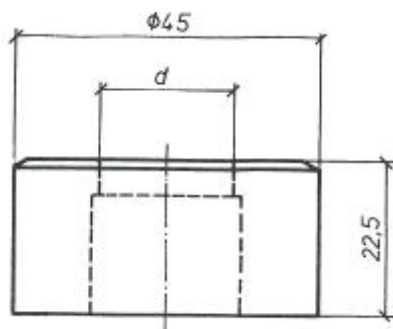


MUBEA

Rundmatrize Nr. 45

Round Die No. 45

Code 50638 0 1



Menge	Artikelnummer	Abmessung
	5063801052	12.7 mm
	5063801054	13.2 mm
	5063801056	13.7 mm
	5063801058	14.2 mm
	5063801061	14.7 mm
	5063801063	15.2 mm
	5063801065	15.7 mm
	5063801067	16.2 mm
	5063801069	16.7 mm
	5063801072	17.2 mm
	5063801074	17.7 mm
	5063801076	18.2 mm
	5063801078	18.7 mm
	5063801081	19.2 mm
	5063801083	19.7 mm
	5063801085	20.2 mm
	5063801087	20.7 mm
	5063801089	21.2 mm
	5063801092	21.7 mm
	5063801094	22.2 mm
	5063801096	22.7 mm
	5063801098	23.2 mm
	5063801101	23.7 mm
	5063801103	24.2 mm
	5063801105	24.7 mm
	5063801107	25.2 mm
	5063801109	25.7 mm
	5063801112	26.2 mm
	5063801114	26.7 mm
	5063801116	27.2 mm
	5063801118	27.7 mm
	5063801121	28.2 mm
	5063801123	28.7 mm
	5063801125	29.2 mm
	5063801127	29.7 mm
	5063801129	30.2 mm
	5063801132	30.7 mm
	5063801134	31.2 mm
	5063801136	31.7 mm

Bei folgenden Modellen nur einsetzbar mit Matrizenhalter 50606 3 (siehe Kapitel 2).

To be used on following machines only by using die holder 50606 3 (see chapter 2).

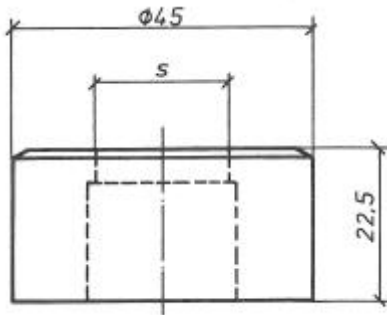
KBL Optima 900, KBL 20, KBL Optima 20, KBL Optima 100-50, KBL Optima 1100, KBL 25, KBL Optima 2, KBL Optima 130-70, KBL Optima 1300, KL Optima 900, KL 20, KL Optima 100, KL Optima 1100, KL 25, KL Optima 130, KL Optima 1300, KL 100, KL 160, KLS 1100, HIW 1000, KLSH 900, KLSH 1100, KBLH 1000, HP 1000/760

MUBEA

Vierkantmatrize Nr. 45

Square Die No. 45

Code 50638 0 2



Menge	Artikelnummer	Abmessung
	5063802151	11.7 mm
	5063802153	12.2 mm
	5063802155	12.7 mm
	5063802157	13.2 mm
	5063802161	13.7 mm
	5063802163	14.2 mm
	5063802165	14.7 mm
	5063802167	15.2 mm
	5063802171	15.7 mm
	5063802173	16.2 mm
	5063802175	16.7 mm
	5063802177	17.2 mm
	5063802181	17.7 mm
	5063802183	18.2 mm
	5063802185	18.7 mm
	5063802187	19.2 mm
	5063802191	19.7 mm
	5063802193	20.2 mm
	5063802195	20.7 mm
	5063802197	21.2 mm
	5063802201	21.7 mm
	5063802203	22.2 mm
	5063802205	22.7 mm

Bei folgenden Modellen nur einsetzbar mit Matrizenhalter 50606 3 (siehe Kapitel 2).

To be used on following machines only by using die holder 50606 3 (see chapter 2).

KBL Optima 900, KBL 20, KBL Optima 20, KBL Optima 100-50, KBL Optima 1100, KBL 25, KBL Optima 2, KBL Optima 130-70, KBL Optima 1300, KL Optima 900, KL 20, KL Optima 100, KL Optima 1100, KL 25, KL Optima 130, KL Optima 1300, KL 100, KL 160, KLS 1100, HIW 1000, KLSH 900, KLSH 1100, KBLH 1000, HP 1000/760

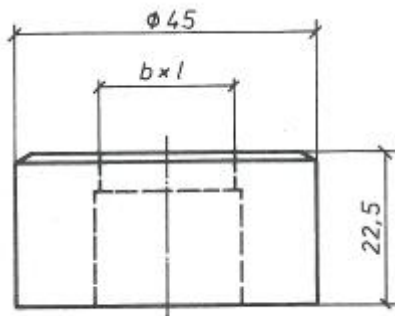


MUBEA

Langlochmatrize Nr. 45

Oblong Die No. 45

Code 50638 0 3



Bei folgenden Modellen nur einsetzbar mit Matrizenhalter 50606 3 (siehe Kapitel 2).

To be used on following machines only by using die holder 50606 3 (see chapter 2).

KBL Optima 900, KBL 20, KBL Optima 20, KBL Optima 100-50, KBL Optima 1100, KBL 25, KBL Optima 2, KBL Optima 130-70, KBL Optima 1300, KL Optima 900, KL 20, KL Optima 100, KL Optima 1100, KL 25, KL Optima 130, KL Optima 1300, KL 100, KL 160, KLS 1100, HIW 1000, KLSH 900, KLSH 1100, KBLH 1000, HP 1000/760

Menge	Artikelnummer	Abmessung	Menge	Artikelnummer	Abmessung
	5063803010	5.3 x 20.3 mm		5063803160	12.0 x 26.0 mm
	5063803011	5.3 x 25.3 mm		5063803161	12.0 x 31.0 mm
	5063803028	5.8 x 20.3 mm		5063803171	12.3 x 20.3 mm
	5063803029	5.8 x 25.3 mm		5063803172	12.3 x 25.3 mm
	5063803016	6.0 x 21.0 mm		5063803173	12.3 x 30.3 mm
	5063803017	6.0 x 26.0 mm		5063803175	13.0 x 21.0 mm
	5063803034	6.5 x 21.0 mm		5063803176	13.0 x 26.0 mm
	5063803035	6.5 x 26.0 mm		5063803177	13.0 x 31.0 mm
	5063803045	6.8 x 20.3 mm		5063803183	13.3 x 20.3 mm
	5063803046	6.8 x 25.3 mm		5063803184	13.3 x 25.3 mm
	5063803047	6.8 x 30.3 mm		5063803185	13.3 x 30.3 mm
	5063803051	7.5 x 21.0 mm		5063803201	13.8 x 20.3 mm
	5063803052	7.5 x 26.0 mm		5063803202	13.8 x 25.3 mm
	5063803053	7.5 x 31.0 mm		5063803203	13.8 x 30.3 mm
	5063803061	7.3 x 20.3 mm		5063803187	14.0 x 21.0 mm
	5063803062	7.3 x 25.3 mm		5063803188	14.0 x 26.0 mm
	5063803063	7.3 x 30.3 mm		5063803189	14.0 x 31.0 mm
	5063803066	8.0 x 21.0 mm		5063803208	14.5 x 21.0 mm
	5063803067	8.0 x 26.0 mm		5063803209	14.5 x 26.0 mm
	5063803068	8.0 x 31.0 mm		5063803210	14.5 x 31.0 mm
	5063803077	8.3 x 16.3 mm		5063803221	14.3 x 20.3 mm
	5063803078	8.3 x 20.3 mm		5063803222	14.3 x 25.3 mm
	5063803079	8.3 x 25.3 mm		5063803223	14.3 x 30.3 mm
	5063803080	8.3 x 30.3 mm		5063803227	15.0 x 21.0 mm
	5063803083	9.0 x 17.0 mm		5063803228	15.0 x 26.0 mm
	5063803084	9.0 x 21.0 mm		5063803229	15.0 x 31.0 mm
	5063803085	9.0 x 26.0 mm		5063803238	16.3 x 25.3 mm
	5063803086	9.0 x 31.0 mm		5063803239	16.3 x 30.3 mm
	5063803095	9.3 x 18.3 mm		5063803243	17.0 x 26.0 mm
	5063803096	9.3 x 20.3 mm		5063803244	17.0 x 31.0 mm
	5063803097	9.3 x 25.3 mm		5063803254	17.8 x 25.3 mm
	5063803098	9.3 x 30.3 mm		5063803255	17.8 x 30.3 mm
	5063803115	9.8 x 20.3 mm		5063803258	18.3 x 30.3 mm
	5063803116	9.8 x 25.3 mm		5063803260	18.5 x 26.0 mm
	5063803117	9.8 x 30.3 mm		5063803261	18.5 x 31.0 mm
	5063803102	10.0 x 19.0 mm		5063803264	19.0 x 31.0 mm
	5063803103	10.0 x 21.0 mm		5063803271	19.3 x 25.3 mm
	5063803104	10.0 x 26.0 mm		5063803272	19.3 x 30.3 mm
	5063803105	10.0 x 31.0 mm		5063803276	20.0 x 26.0 mm
	5063803122	10.5 x 26.0 mm		5063803277	20.0 x 31.0 mm
	5063803123	10.5 x 31.0 mm		5063803287	20.8 x 25.3 mm
	5063803126	10.5 x 21.0 mm		5063803288	20.8 x 30.3 mm
	5063803131	10.8 x 21.3 mm		5063803293	21.5 x 26.0 mm
	5063803132	10.8 x 25.3 mm		5063803294	21.5 x 31.0 mm
	5063803133	10.8 x 30.3 mm		5063803295	22.3 x 30.3 mm
	5063803136	11.5 x 22.0 mm		5063803306	22.8 x 30.3 mm
	5063803137	11.5 x 26.0 mm		5063803308	23.0 x 31.0 mm
	5063803138	11.5 x 31.0 mm		5063803311	23.5 x 31.0 mm
	5063803150	11.3 x 20.3 mm		5063803320	24.3 x 30.3 mm
	5063803151	11.3 x 25.3 mm		5063803324	25.0 x 31.0 mm
	5063803152	11.3 x 30.3 mm		5063803332	25.8 x 30.3 mm
	5063803159	12.0 x 21.0 mm		5063803336	26.5 x 31.0 mm

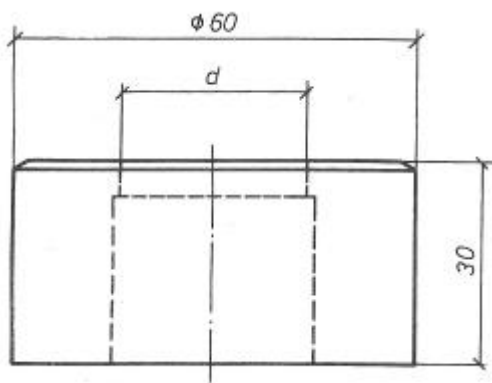


MUBEA

Rundmatrize Nr. 60

Round Die No. 60

Code 50639 0 1



Menge	Artikelnummer	Abmessung
	5063901132	30.7 mm
	5063901134	31.2 mm
	5063901136	31.7 mm
	5063901138	32.2 mm
	5063901141	32.7 mm
	5063901143	33.2 mm
	5063901145	33.7 mm
	5063901147	34.2 mm
	5063901149	34.7 mm
	5063901152	35.2 mm
	5063901154	35.7 mm
	5063901156	36.2 mm
	5063901158	36.7 mm
	5063901161	37.2 mm
	5063901163	37.7 mm
	5063901165	38.2 mm
	5063901167	38.7 mm
	5063901169	39.2 mm
	5063901172	39.7 mm
	5063901174	40.2 mm
	5063901176	40.7 mm
	5063901178	41.2 mm
	5063901181	41.7 mm
	5063901183	42.2 mm

Einsetzbar nur mit Sonderstanzeinrichtung.
Außer bei den Modellen:

To be used only with special punching attachment.
Except on models:

KBL Optima 900, KBL 20, KBL Optima 20, KBL Optima 100-50, KBL Optima 1100, KBL 25, KBL Optima 2, KBL Optima 130-70, KBL Optima 1300, KL Optima 900, KL 20, KL Optima 100, KL Optima 1100, KL 25, KL Optima 130, KL Optima 1300, KL 100, KL 160, KLS 1100, HIW 1000, KLSH 900, KLSH 1100, KBLH 1000, HP 1000/760



Stanzausrüstung zur Aufnahme von Stempeln und Matrizen von 30,5 bis 50 mm Schnitt- ϕ

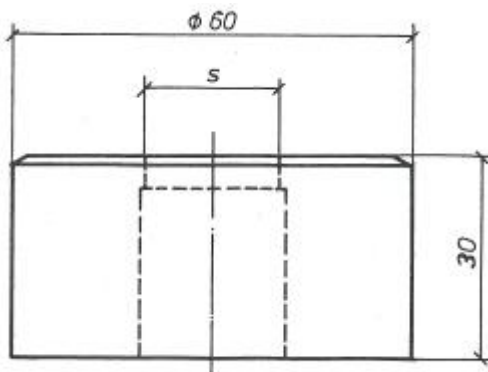
Punching station to accommodate punches and dies from 30,5 up to 50 mm cutting- ϕ

MUBEA

Vierkantmatrize Nr. 60

Square Die No. 60

Code 50639 0 2

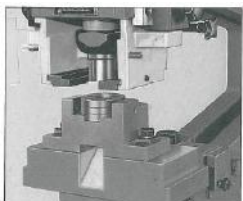


Menge	Artikelnummer	Abmessung
	5063902201	21.7 mm
	5063902203	22.2 mm
	5063902205	22.7 mm
	5063902207	23.2 mm
	5063902211	23.7 mm
	5063902213	24.2 mm
	5063902215	24.7 mm
	5063902217	25.2 mm
	5063902221	25.7 mm
	5063902223	26.2 mm
	5063902225	26.7 mm
	5063902227	27.2 mm
	5063902231	27.7 mm
	5063902233	28.2 mm
	5063902235	28.7 mm
	5063902237	29.2 mm

Einsetzbar nur mit Sonderstanzeinrichtung.
Außer bei den Modellen:

To be used only with special punching attachment.
Except on models:

KBL Optima 900, KBL 20, KBL Optima 20, KBL
Optima 100-50, KBL Optima 1100, KBL 25, KBL
Optima 2, KBL Optima 130-70, KBL Optima 1300, KL
Optima 900, KL 20, KL Optima 100, KL Optima
1100, KL 25, KL Optima 130, KL Optima 1300, KL
100, KL 160, KLS 1100, HIW 1000, KLSH 900, KLSH
1100, KBLH 1000, HP 1000/760



Stanzausrüstung zur Aufnahme
von Stempeln und Matrizen von
30,5 bis 50 mm Schnitt- ϕ

Punching station to
accommodate punches and dies
from 30,5 up to 50 mm cutting- ϕ

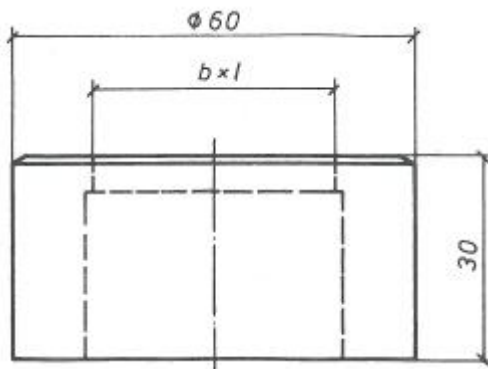


MUBEA

Langlochmatrize Nr. 60

Oblong Die No. 60

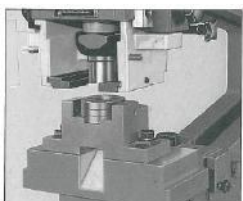
Code 50639 0 3



Einsetzbar nur mit Sonderstanzeinrichtung.
Außer bei den Modellen:

To be used only with special punching attachment.
Except on models:

KBL Optima 900, KBL 20, KBL Optima 20, KBL
Optima 100-50, KBL Optima 1100, KBL 25, KBL
Optima 2, KBL Optima 130-70, KBL Optima 1300, KL
Optima 900, KL 20, KL Optima 100, KL Optima
1100, KL 25, KL Optima 130, KL Optima 1300, KL
100, KL 160, KLS 1100, HIW 1000, KLSH 900, KLSH
1100, KBLH 1000, HP 1000/760



Stanzausrüstung zur Aufnahme
von Stempeln und Matrizen von
30,5 bis 50 mm Schnitt- ϕ

Punching station to
accommodate punches and dies
from 30,5 up to 50 mm cutting- ϕ

Menge	Artikelnummer	Abmessung
	5063903141	9.3 x 40.3 mm
	5063903145	10.0 x 41.0 mm
	5063903153	11.3 x 35.3 mm
	5063903154	11.3 x 40.3 mm
	5063903162	12.0 x 36.0 mm
	5063903163	12.0 x 41.0 mm
	5063903204	13.8 x 35.3 mm
	5063903205	13.8 x 40.3 mm
	5063903224	14.3 x 35.3 mm
	5063903225	14.3 x 40.3 mm
	5063903211	14.5 x 36.0 mm
	5063903212	14.5 x 41.0 mm
	5063903230	15.0 x 36.0 mm
	5063903231	15.0 x 41.0 mm
	5063903240	16.3 x 35.3 mm
	5063903241	16.3 x 40.3 mm
	5063903245	17.0 x 36.0 mm
	5063903246	17.0 x 41.0 mm
	5063903256	17.8 x 35.3 mm
	5063903257	17.8 x 40.3 mm
	5063903262	18.5 x 36.0 mm
	5063903263	18.5 x 41.0 mm
	5063903273	19.3 x 35.3 mm
	5063903274	19.3 x 40.3 mm
	5063903278	20.0 x 36.0 mm
	5063903279	20.0 x 41.0 mm
	5063903289	20.8 x 35.3 mm
	5063903290	20.8 x 40.3 mm
	5063903295	21.5 x 36.0 mm
	5063903296	21.5 x 41.0 mm
	5063903307	22.8 x 35.3 mm
	5063903308	22.8 x 40.3 mm
	5063903312	23.5 x 36.0 mm
	5063903313	23.5 x 41.0 mm
	5063903321	24.3 x 40.3 mm
	5063903325	25.0 x 41.0 mm
	5063903333	25.8 x 40.3 mm
	5063903343	26.3 x 40.3 mm
	5063903337	26.5 x 41.0 mm
	5063903346	27.0 x 41.0 mm
	5063903352	27.3 x 40.3 mm
	5063903355	28.0 x 41.0 mm

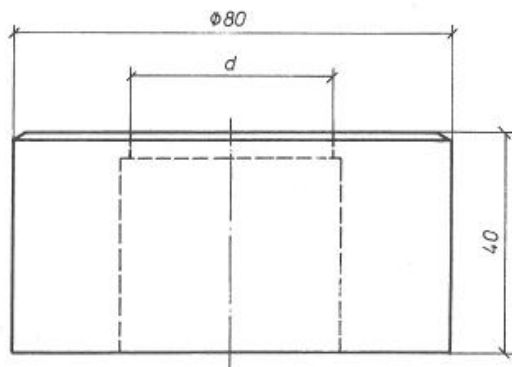


MUBEA

Rundmatrize Nr. 80

Round Die No. 80

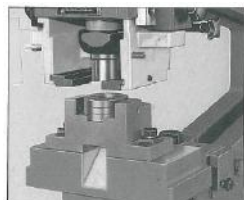
Code 50640 0 1



Menge	Artikelnummer	Abmessung
	5064001176	40.7 mm
	5064001178	41.2 mm
	5064001181	41.7 mm
	5064001183	42.2 mm
	5064001185	42.7 mm
	5064001187	43.2 mm
	5064001189	43.7 mm
	5064001192	44.2 mm
	5064001194	44.7 mm
	5064001196	45.2 mm
	5064001198	45.7 mm
	5064001201	46.2 mm
	5064001203	46.7 mm
	5064001205	47.2 mm
	5064001207	47.7 mm
	5064001209	48.2 mm
	5064001212	48.7 mm
	5064001214	49.2 mm
	5064001216	49.7 mm
	5064001218	50.2 mm
	5064001221	50.7 mm
	5064001223	51.2 mm

Einsetzbar nur mit Sonderstanzeinrichtung.

To be used only with special punching attachment.



Stanzausrüstung zur Aufnahme von Stempeln und Matrizen von 30,5 bis 50 mm Schnitt- ϕ

Punching station to accommodate punches and dies from 30,5 up to 50 mm cutting- ϕ

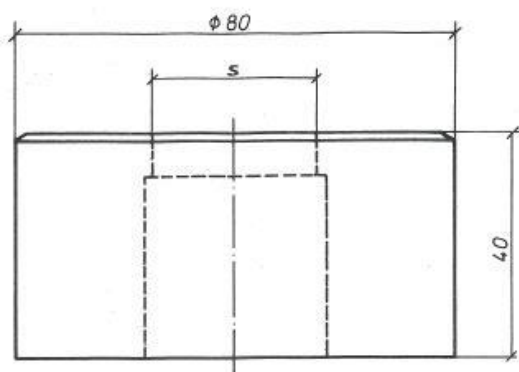


MUBEA

Vierkantmatrize Nr. 80

Square Die No. 80

Code 50640 0 2



Menge	Artikelnummer	Abmessung
	5064002235	28.7 mm
	5064002237	29.2 mm
	5064002241	29.7 mm
	5064002243	30.2 mm
	5064002245	30.7 mm
	5064002247	31.2 mm
	5064002251	31.7 mm
	5064002253	32.2 mm
	5064002255	32.7 mm
	5064002257	33.2 mm
	5064002261	33.7 mm
	5064002263	34.2 mm
	5064002265	34.7 mm
	5064002267	35.2 mm
	5064002268	35.7 mm

Einsetzbar nur mit Sonderstanzeinrichtung.

To be used only with special punching attachment.



Stanzausrüstung zur Aufnahme von Stempeln und Matrizen von 30,5 bis 50 mm Schnitt- ϕ

Punching station to accommodate punches and dies from 30,5 up to 50 mm cutting- ϕ

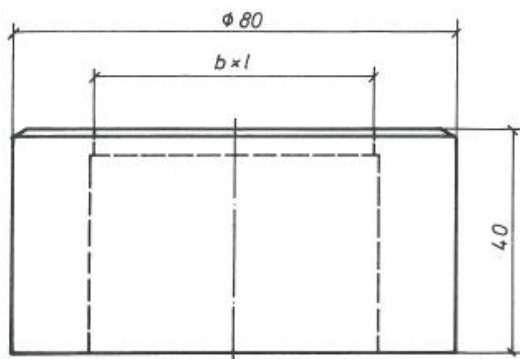


MUBEA

Langlochmatrize Nr. 80

Oblong Die No. 80

Code 50640 0 3



Menge	Artikelnummer	Abmessung
	5064003155	11.3 x 45.3 mm
	5064003156	11.3 x 50.3 mm
	5064003164	12.0 x 46.0 mm
	5064003165	12.0 x 51.0 mm
	5064003206	13.8 x 50.3 mm
	5064003213	14.5 x 51.0 mm
	5064003258	17.8 x 50.3 mm
	5064003264	18.5 x 51.0 mm
	5064003291	20.8 x 50.3 mm
	5064003297	21.5 x 51.0 mm
	5064003309	22.8 x 50.3 mm
	5064003314	23.5 x 51.0 mm
	5064003322	24.3 x 50.3 mm
	5064003326	25.0 x 51.0 mm
	5064003334	25.8 x 50.3 mm
	5064003344	26.3 x 50.3 mm
	5064003338	26.5 x 51.0 mm
	5064003347	27.0 x 51.0 mm
	5064003353	27.3 x 50.3 mm
	5064003356	28.0 x 51.0 mm

Einsetzbar nur mit Sonderstanzeinrichtung.

To be used only with special punching attachment.



Stanzausrüstung zur Aufnahme von Stempeln und Matrizen von 30,5 bis 50 mm Schnitt- ϕ

Punching station to accommodate punches and dies from 30,5 up to 50 mm cutting- ϕ

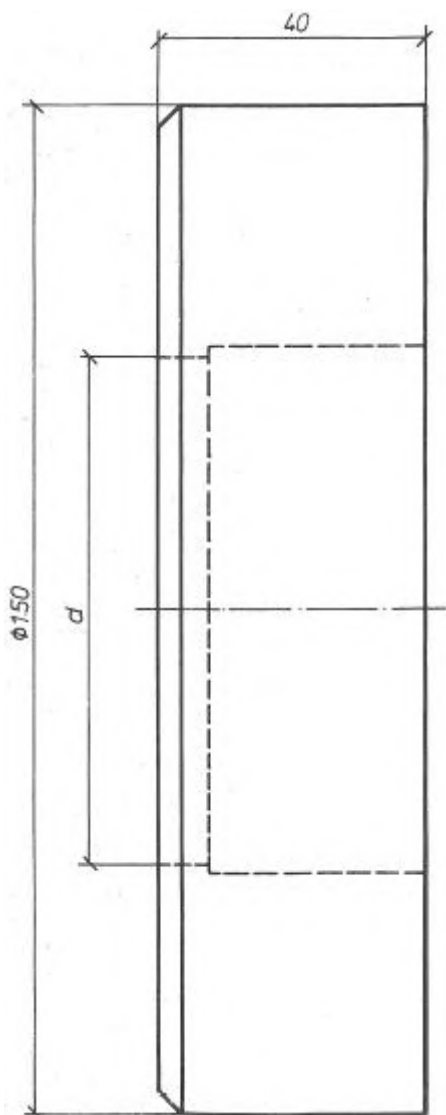


MUBEA

Rundmatrize Nr. 150

Round Die No. 150

Code 50658 1 1



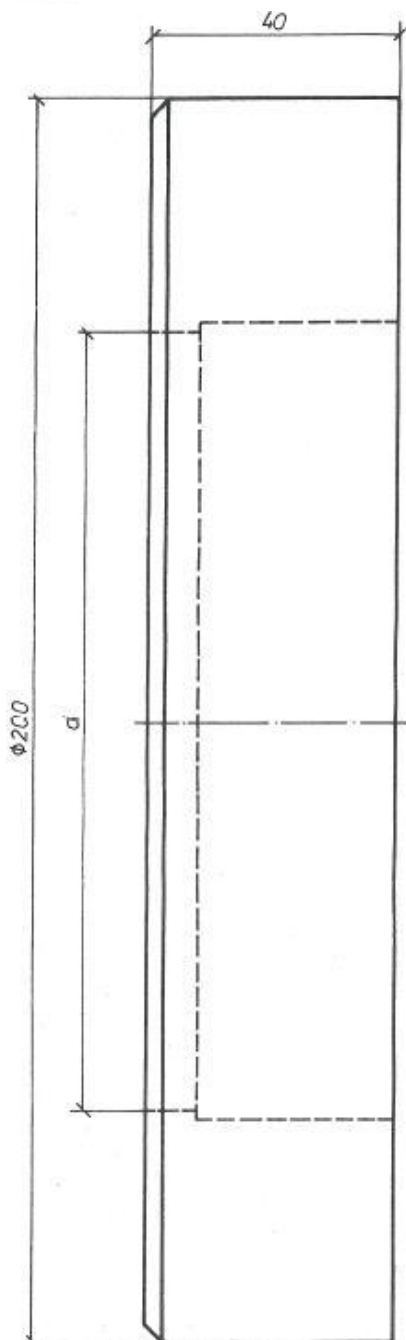
Menge	Artikelnummer	Abmessung	Menge	Artikelnummer	Abmessung
	5065811221	50.7 mm		5065811338	76.2 mm
	5065811223	51.2 mm		5065811341	76.7 mm
	5065811225	51.7 mm		5065811343	77.2 mm
	5065811227	52.2 mm		5065811345	77.7 mm
	5065811229	52.7 mm		5065811347	78.2 mm
	5065811232	53.2 mm		5065811349	78.7 mm
	5065811234	53.7 mm		5065811352	79.2 mm
	5065811236	54.2 mm		5065811354	79.7 mm
	5065811238	54.7 mm		5065811356	80.2 mm
	5065811241	55.2 mm		5065811358	80.7 mm
	5065811243	55.7 mm		5065811361	81.2 mm
	5065811245	56.2 mm		5065811363	81.7 mm
	5065811247	56.7 mm		5065811365	82.2 mm
	5065811249	57.2 mm		5065811367	82.7 mm
	5065811252	57.7 mm		5065811369	83.2 mm
	5065811254	58.2 mm		5065811372	83.7 mm
	5065811256	58.7 mm		5065811374	84.2 mm
	5065811258	59.2 mm		5065811376	84.7 mm
	5065811261	59.7 mm		5065811378	85.2 mm
	5065811263	60.2 mm		5065811381	85.7 mm
	5065811265	60.7 mm		5065811383	86.2 mm
	5065811267	61.2 mm		5065811385	86.7 mm
	5065811269	61.7 mm		5065811387	87.2 mm
	5065811272	62.2 mm		5065811389	87.7 mm
	5065811274	62.7 mm		5065811392	88.2 mm
	5065811276	63.2 mm		5065811394	88.7 mm
	5065811278	63.7 mm		5065811396	89.2 mm
	5065811281	64.2 mm		5065811398	89.7 mm
	5065811283	64.7 mm		5065811401	90.2 mm
	5065811285	65.2 mm		5065811403	90.7 mm
	5065811287	65.7 mm		5065811405	91.2 mm
	5065811289	66.2 mm		5065811407	91.7 mm
	5065811292	66.7 mm		5065811409	92.2 mm
	5065811294	67.2 mm		5065811412	92.7 mm
	5065811301	67.7 mm		5065811414	93.2 mm
	5065811303	68.2 mm		5065811416	93.7 mm
	5065811305	68.7 mm		5065811418	94.2 mm
	5065811307	69.2 mm		5065811421	94.7 mm
	5065811309	69.7 mm		5065811423	95.2 mm
	5065811312	70.2 mm		5065811425	95.7 mm
	5065811314	70.7 mm		5065811427	96.2 mm
	5065811316	71.2 mm		5065811429	96.7 mm
	5065811318	71.7 mm		5065811432	97.2 mm
	5065811321	72.2 mm		5065811434	97.7 mm
	5065811323	72.7 mm		5065811436	98.2 mm
	5065811325	73.2 mm		5065811438	98.7 mm
	5065811327	73.7 mm		5065811441	99.2 mm
	5065811329	74.2 mm		5065811443	99.7 mm
	5065811332	74.7 mm		5065811444	100.2 mm
	5065811334	75.2 mm		5065811445	100.7 mm
	5065811336	75.7 mm			

MUBEA

Rundmatrize Nr. 200

Round Die No. 200

Code 50658 2 1



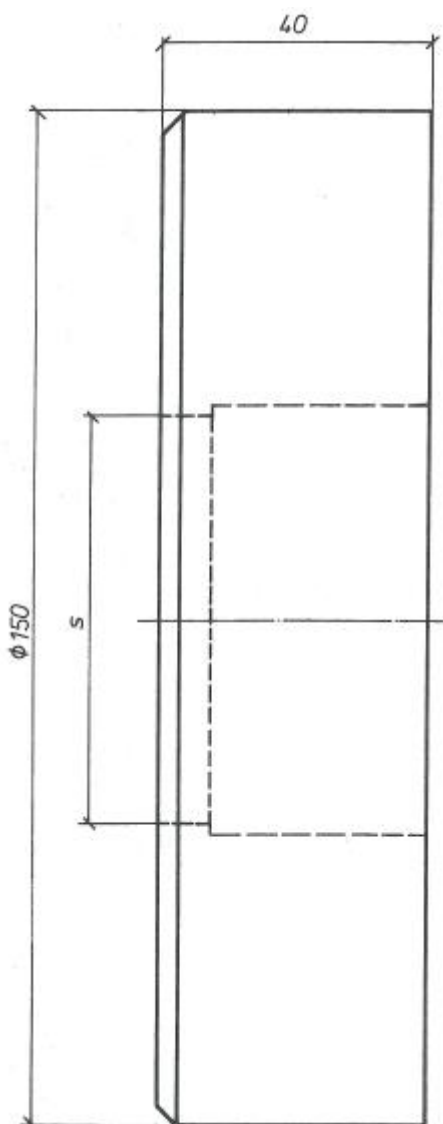
Menge	Artikelnummer	Abmessung
	5065821450	105.3 mm
	5065821453	110.3 mm
	5065821456	115.3 mm
	5065821459	120.3 mm
	5065821462	125.3 mm
	5065821465	130.3 mm
	5065821468	135.3 mm
	5065821471	140.3 mm
	5065821474	145.3 mm
	5065821477	150.3 mm

MUBEA

Vierkantmatrize Nr. 150

Square Die No. 150

Code 50658 1 2



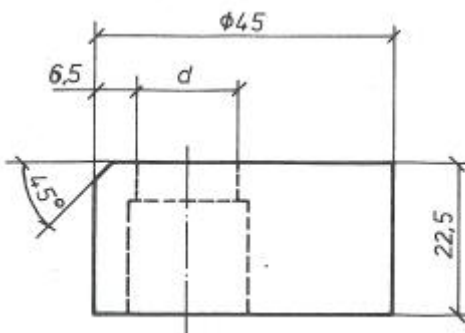
Menge	Artikelnummer	Abmessung
	5065812304	40.3
	5065812306	45.3
	5065812308	50.3
	5065812312	55.3
	5065812314	60.3
	5065812316	65.3
	5065812318	70.3

MUBEA

Exzenter-Matrize Nr. 45E

Offset Die No. 45E

Code 50653 1 1



Zum Stanzen von L-Profilen DIN 1028 und DIN 1029, Z-Profilen DIN 1027, T-Profilen DIN 1024, IPE-Profilen DIN 1025 Bl. 5

For punching angles DIN 1028 and DIN 1029, Z-shaped material DIN 1027, tees DIN 1024, IPE DIN 1025 page 5.

Bei folgenden Modellen nur einsetzbar mit Matrizenhalter 50654 (siehe Kapitel 2).

To be used on following machines only by using die holder 50654 (see chapter 2).

KBL Optima 900, KBL 20, KBL Optima 20, KBL Optima 100-50, KBL Optima 1100, KBL 25, KBL Optima 2, KBL Optima 130-70, KBL Optima 1300, KL Optima 900, KL 20, KL Optima 100, KL Optima 1100, KL 25, KL Optima 130, KL Optima 1300, KL 100, KL 160, KLS 1100, HIW 1000, KLSH 900, KLSH 1100, KBLH 1000, HP 1000/760

Menge	Artikelnummer	Abmessung	Menge	Artikelnummer	Abmessung
	5065311009	3.2 mm		5065311125	29.2 mm
	5065311012	3.7 mm		5065311127	29.7 mm
	5065311014	4.2 mm			
	5065311016	4.7 mm			
	5065311018	5.2 mm			
	5065311021	5.7 mm			
	5065311023	6.2 mm			
	5065311025	6.7 mm			
	5065311027	7.2 mm			
	5065311029	7.7 mm			
	5065311032	8.2 mm			
	5065311034	8.7 mm			
	5065311036	9.2 mm			
	5065311038	9.7 mm			
	5065311041	10.2 mm			
	5065311043	10.7 mm			
	5065311045	11.2 mm			
	5065311047	11.7 mm			
	5065311049	12.2 mm			
	5065311052	12.7 mm			
	5065311054	13.2 mm			
	5065311056	13.7 mm			
	5065311058	14.2 mm			
	5065311061	14.7 mm			
	5065311063	15.2 mm			
	5065311065	15.7 mm			
	5065311067	16.2 mm			
	5065311069	16.7 mm			
	5065311072	17.2 mm			
	5065311074	17.7 mm			
	5065311076	18.2 mm			
	5065311078	18.7 mm			
	5065311081	19.2 mm			
	5065311083	19.7 mm			
	5065311085	20.2 mm			
	5065311087	20.7 mm			
	5065311089	21.2 mm			
	5065311092	21.7 mm			
	5065311094	22.2 mm			
	5065311096	22.7 mm			
	5065311098	23.2 mm			
	5065311101	23.7 mm			
	5065311103	24.2 mm			
	5065311105	24.7 mm			
	5065311107	25.2 mm			
	5065311109	25.7 mm			
	5065311112	26.2 mm			
	5065311114	26.7 mm			
	5065311116	27.2 mm			
	5065311118	27.7 mm			
	5065311121	28.2 mm			
	5065311123	28.7 mm			



Inter Imex
SERVICE & ONDERHOUD

MUBEA

Inter Imex - Service & Onderhoud

Westhavenweg 63H

1042 AL Amsterdam

The Netherlands

KvK: 76952576 • VAT: NL003127781B26

IBAN: NL55 RABO 0349 6416 76

www.interimex.nl